

ZD421T

Desktop Printer



Quick Start Guide



ZEBRA

1 Setup



zebra.com/setup

Scan the code to download and install Zebra Setup Utilities.

2 Remove Packing



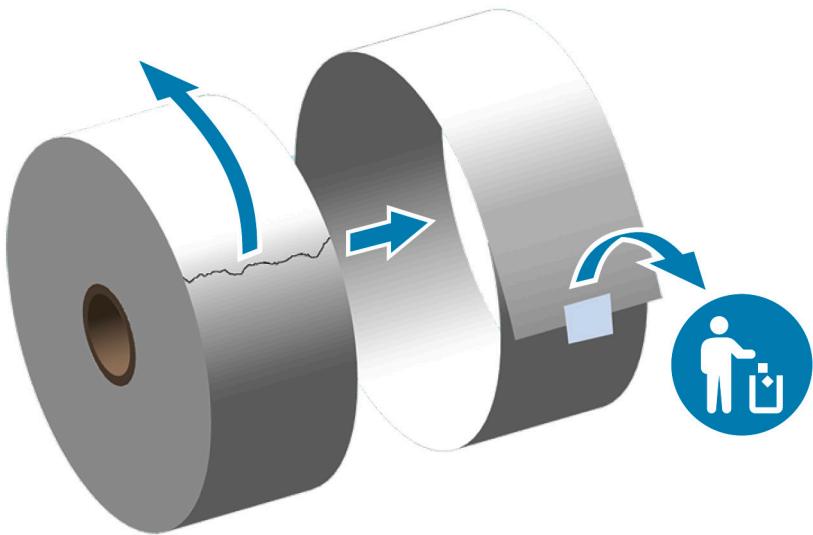
Slide the release latches to the front to unlock the cover.

2 Remove Packing (continued)



Open the printer and remove the packing.

3 Load Media



Unroll and discard the outer layer of the media roll.

3 Load Media (continued)



Spread the roll holders open and place the roll into the printer.

3 Load Media (continued)



Verify the roll spins easily on the holder.

3 Load Media (continued)



Pull the end of the roll past the front edge of the printer.

3 Load Media (continued)



Press the media under the guides.

4 Adjust Sensor



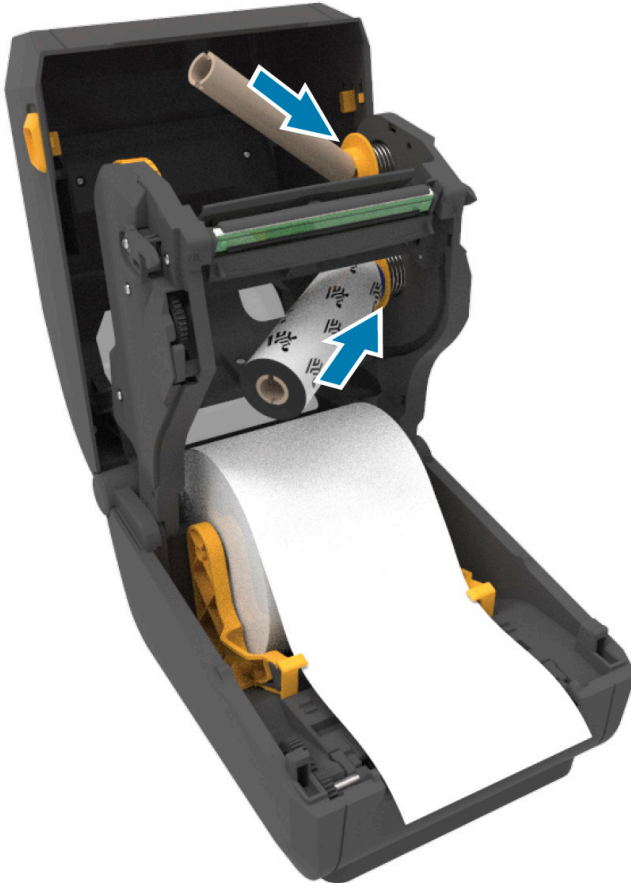
Align the sensor to the center of the roll for regular labels.

4 Adjust Sensor (continued)



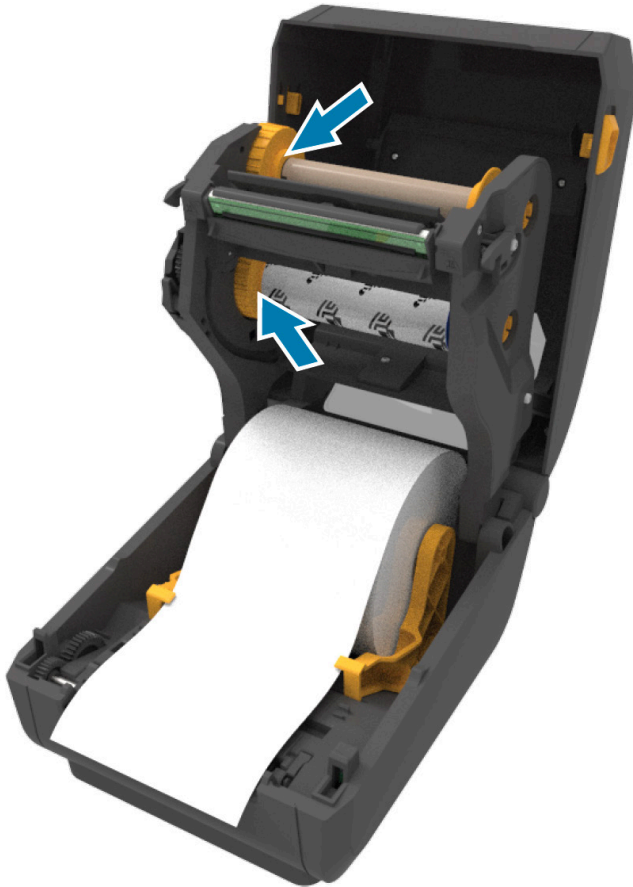
Align the sensor to the edge of the roll for marked labels.

5 Load Ribbon



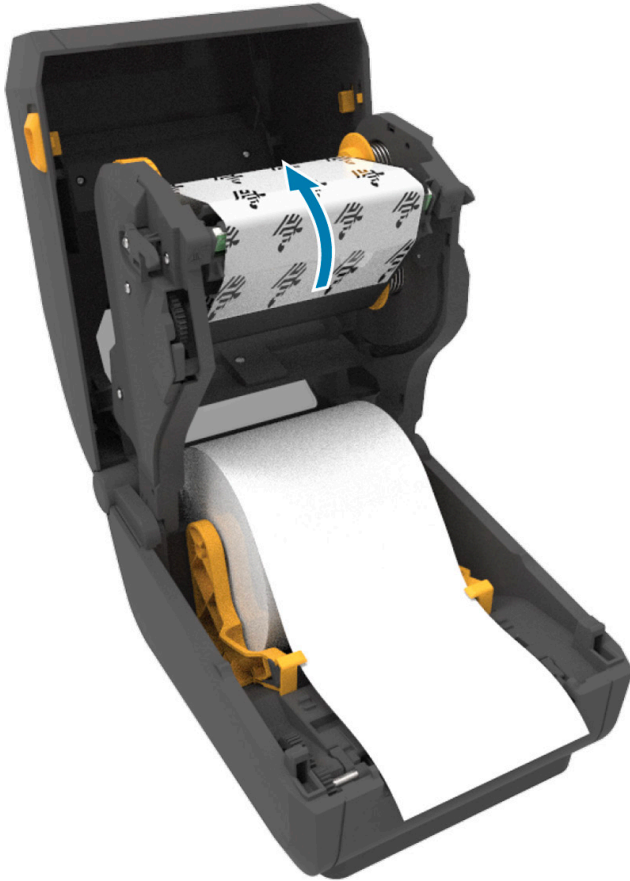
Push the right side of the spool onto the spring-loaded spindle.

5 Load Ribbon (continued)



Place the left side of the spool onto the spindle aligning it with the notches.

5 Load Ribbon (continued)



Pull the supply ribbon leader up and over the printhead and attach it to the take-up spool.

5 Load Ribbon (continued)



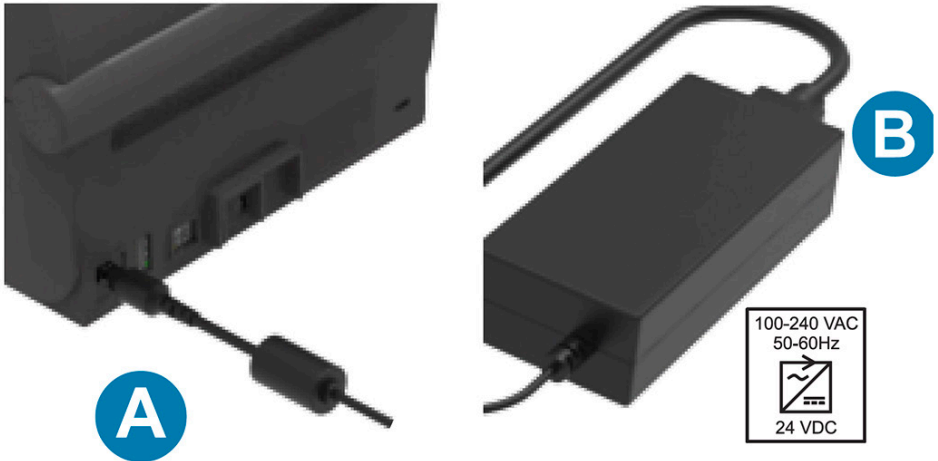
Turn the ribbon take-up wheel to remove the slack and advance the ribbon.

6 Close Printer



Push down on the front edge of the printer until it locks.

7 Connect Power



- A. Plug the power supply into the printer.
- B. Plug the power cable into the power supply.

7 Connect Power (continued)



- C. Plug the power cord into an appropriate receptacle.
- D. The power supply lights green.

8 Connect USB



Connect a USB cable to the printer, connect the other end to your computer.

9 Power On



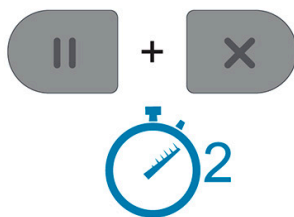
Press the power button.

9 Power On (continued)



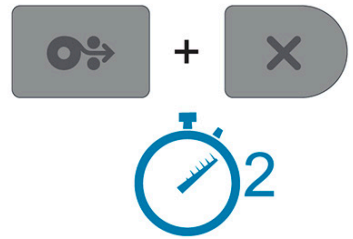
When the the printer is ready, the printer status light will turn green.

10 Smart Calibration



Press and hold the Pause and Cancel buttons for two seconds to line up the labels.

11 Print Configuration Report



Press and hold the Feed and Cancel buttons for two seconds to print a configuration report.



Media Out



When the media runs out, the printer status and media status lights will turn red.



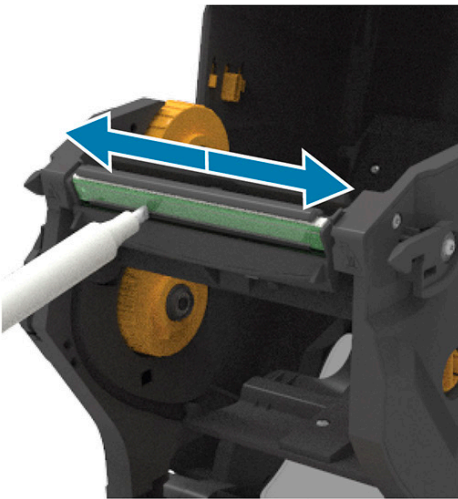
Media Out (continued)



Open the printer and discard the empty roll.



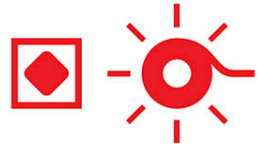
Cleaning



Clean printhead with cleaning pen starting from the middle to sliding to the outside. Do not use a cleaning pen on the platen.



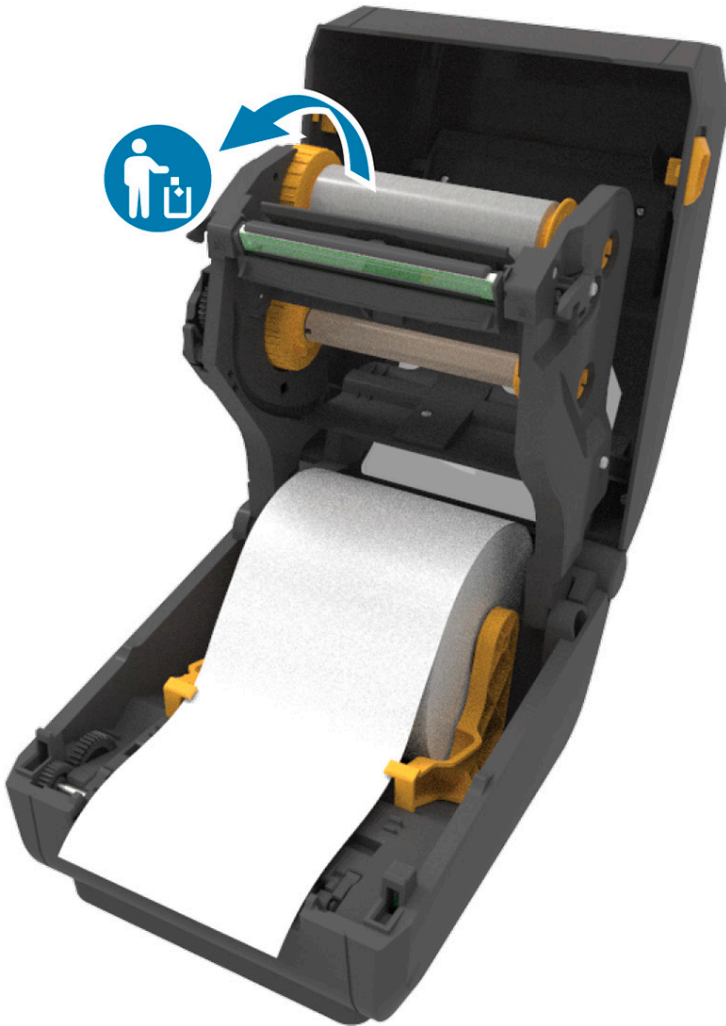
Ribbon Out



When the ribbon runs out, the printer status and ribbon status lights will turn red.



Ribbon Out (continued)



Open the printer and discard the empty spools.



Support and Information



Need to design a label?
zebra.com/zebradesigner

View user documentation and
how-to videos.
zebra.com/zd421t-info



Need to manage your printer?
zebra.com/ppme

Contact Zebra about your printer.
zebra.com/contact



Need to secure your printer?
zebra.com/printsecure

Learn about genuine Zebra
supplies.
zebra.com/supplies



Slide the release latches to the front to unlock the cover.



ZEBRA



212696-002

Zebra Technologies | 3 Overlook Point | Lincolnshire, IL 60069 USA — zebra.com

ZEBRA and the stylized Zebra head are trademarks of Zebra Technologies Corp., registered in many jurisdictions worldwide. All other trademarks are the property of their respective owners. © 2020 Zebra Technologies Corp. and/or its affiliates. All rights reserved.

