

THB Ambient Monitoring System

Standard THB.S Sensor
Precise THB.U Sensor
THB.W Sensor (for Liquid)
THBR Box Ambient Conditions Recorder

USER MANUAL

IMMU-60-02-10-18-EN



OCTOBER 2018

Contents

1. GENERAL INFORMATION	4
2. THB.S AND THB.U CONSTRUCTION	4
3. THB.W SENSOR CONSTRUCTION	5
4. THBR Box CONSTRUCTION	6
5. THB 2ETH CONVERTER CONSTRUCTION	7
6. UNPACKING	7
6.1. Unpacking	7
7. START-UP	8
7.1. Connecting THB.S Sensor to Laboratory Balance	8
7.2. Connecting THB.S or THB.U Sensor to the Computer	9
7.3. THBR Box Recorder and THB.S or THB.U Sensor	10
8. MAINTENANCE, SERVICE, RECYCLING	11
8.1. Maintenance	11
8.2. Service	11
8.3. Utilisation	11

1. GENERAL INFORMATION

THB.S and THB.U sensors are measuring devices cooperating with 3Y, 4Y, laboratory balances, PC and THBR Box. The sensors are used to carry out measurement of temperature, humidity and atmospheric pressure at the workstation.

The indications may be displayed either on an indicator screen or a computer screen.

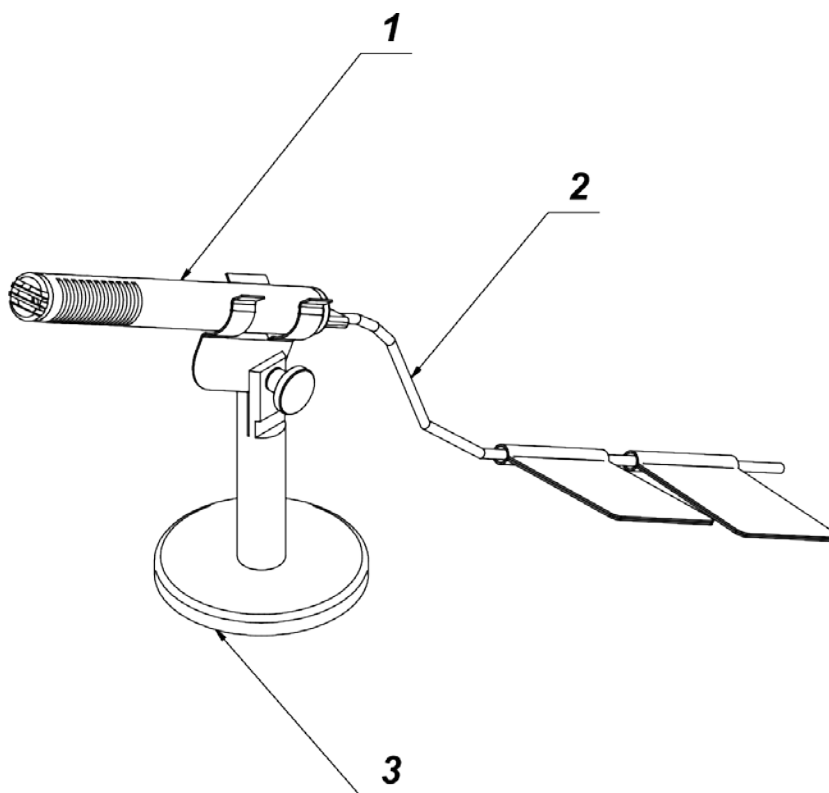
On the basis of measurement values transferred from the THB module, the 3Y, 4Y, balance program determines air density. The determined air density is displayed on the screen too. PC - THB.x version is operated via 'THBR Single' software.

THBR Box - THB.x version is operated via 'THBR Multi' software.

2. THB.S AND THB.U CONSTRUCTION

THB.S and THB.U sensors consist of:

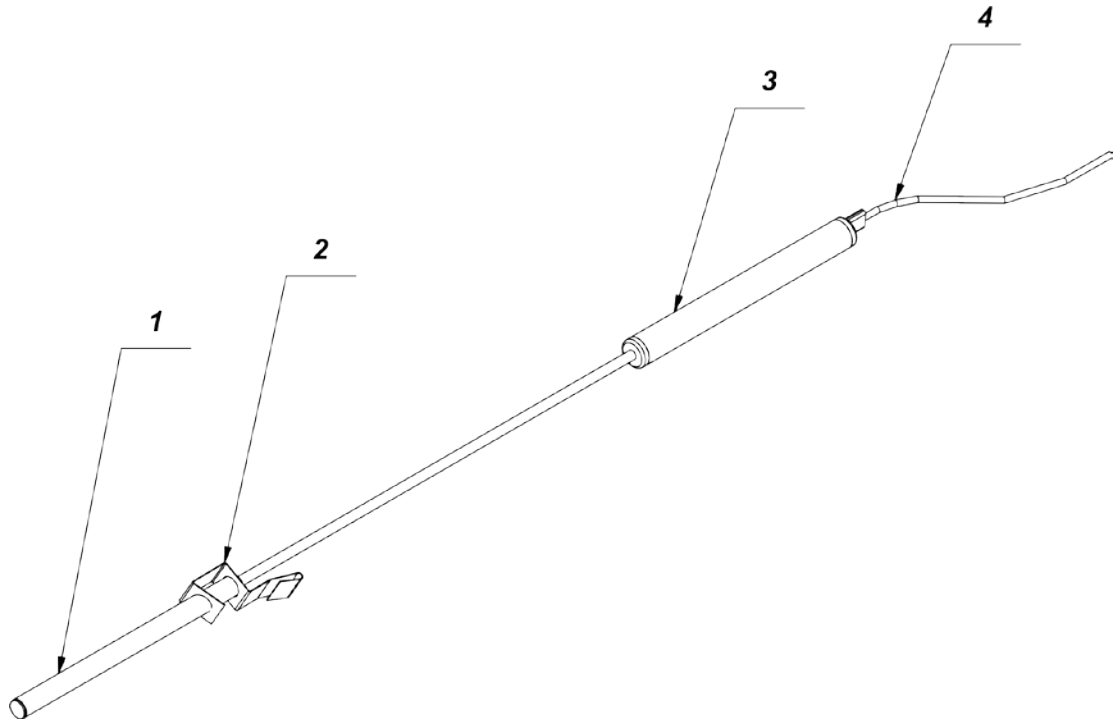
- 1 – sensor,
- 2 – standard micro-USB cable
- 3 – stand



3. THB.W SENSOR CONSTRUCTION

THB.W sensor consists of:

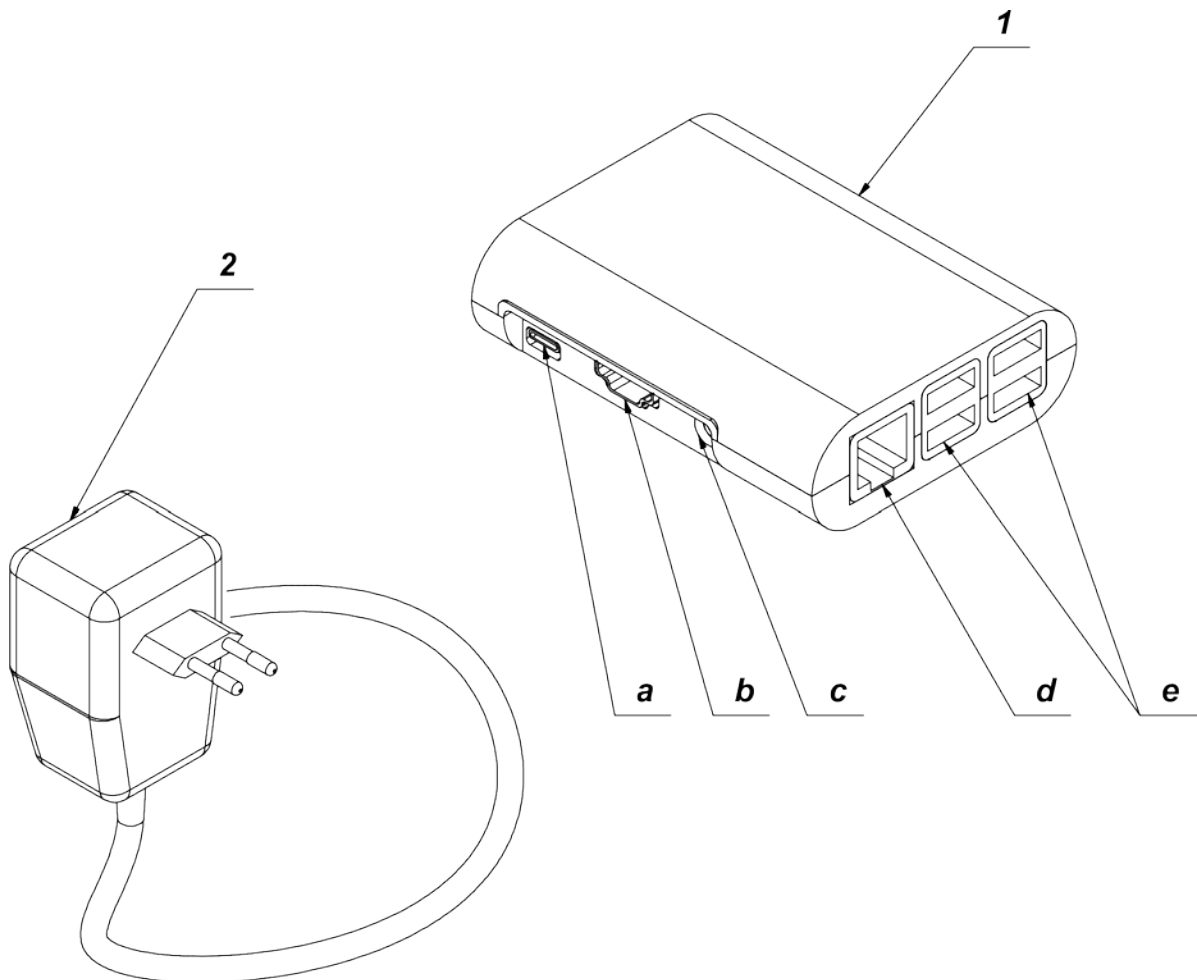
- 1 – sensor,
- 2 – holder for hanging the sensor on a vessel
- 3 – electronics housing
- 4 – standard micro-USB cable



4. THBR Box CONSTRUCTION

THBR Box recorder consists of:

- 1 – housing,
- 2 – power supply,



Connectors' arrangement:

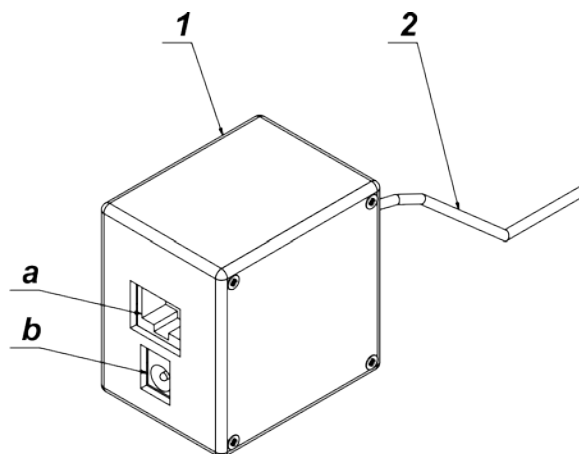
- a – power supply socket,
- b – HDMI socket,
- c – audio socket,
- d – ETHERNET socket,
- e – 4xUSB for connecting THB.S or THB.U sensors

5. THB 2ETH CONVERTER CONSTRUCTION

THB 2ETH is a converter that enables connecting THB.S or THB.U sensor directly to Ethernet network.

THB 2ETH consists of:

- 1 – housing,
- 2 – USB cable for connecting THB.S or THB.U sensor,
- a – ETHERNET socket
- b – power supply seat



The converter can be supplied via:

1. 12V power supply (standard)
2. directly via Ethernet cable due to the use of POE standard system (only when a switch to which the converter is connected supports POE standard system)
POE standard - IEEE802.3af

A special program was designed to support THB.x connected via THB 2ETH.

6. UNPACKING

6.1. Unpacking

Unpack the device, remove protection, next carefully take the THB.x module or the recorder out of the box and place it at the workstation.

7. START-UP

7.1. Connecting THB.S Sensor to Laboratory Balance

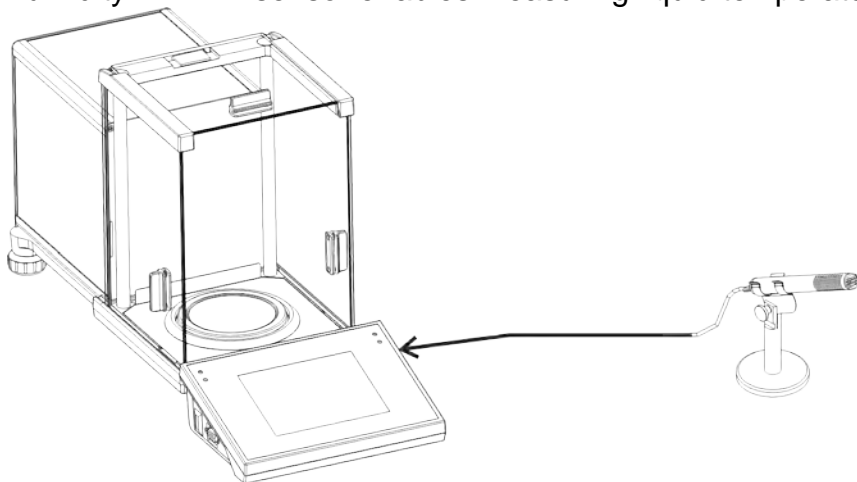
In order to run the module, connect it to the weighing device via USB cable. Next, following instructions provided in user manual of the balance, set communication parameters.

Settings:

Setup/Peripherals/Ambient conditions module/Port/USB

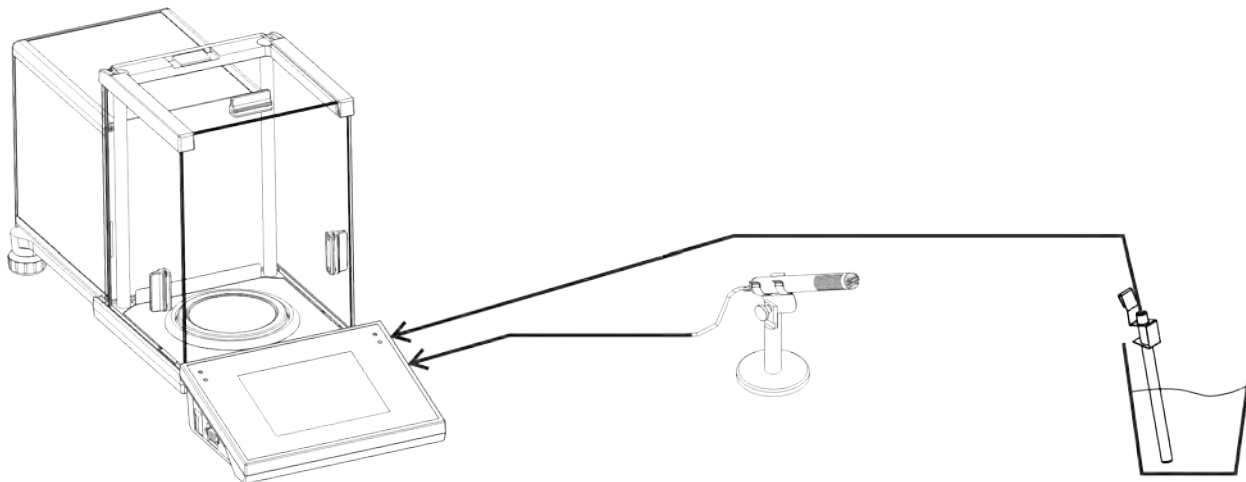
Cooperation with 3Y and 4Y laboratory balances.

THB.S and THB.U sensors enable measuring: air temperature, atmospheric pressure, air humidity. THB.W sensor enables measuring liquid temperature, e.g. during pipettes calibration.



3Y or 4Y balance

THB.S or THB.U sensor



3Y or 4Y balance

THB.S or THB.U sensor

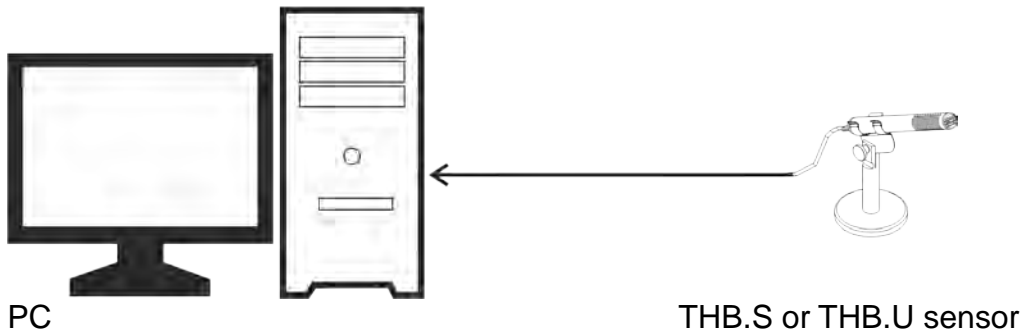
THB.W liquid temperature sensor

7.2. Connecting THB.S or THB.U Sensor to the Computer

In order to run the module, connect it to the computer. On your computer install the THB-R-Single software enabling readout of measured quantities values, next set communication parameters. In order to do it correctly, follow instructions provided in user manual of the balance.

THB.S or THB.U

The sensor is connected directly to the computer USB port.

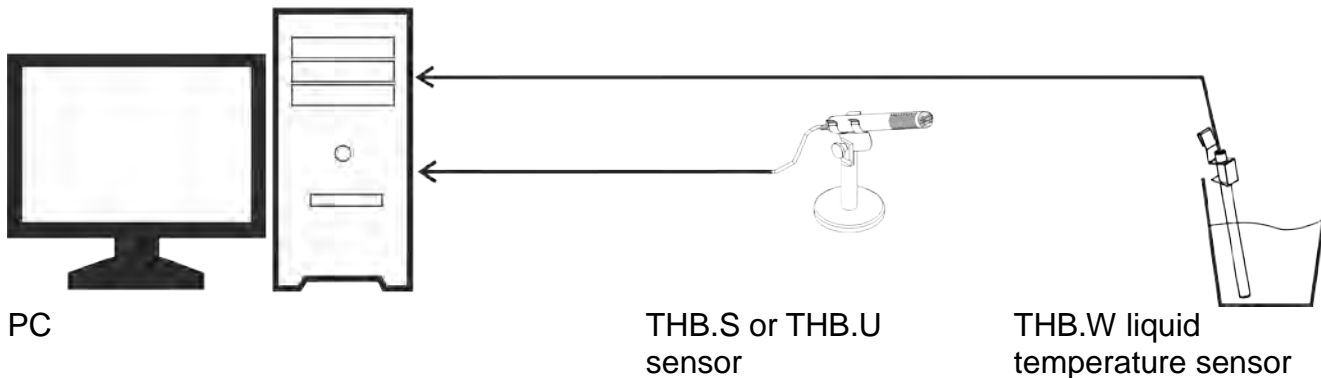


The sensor allows to measure: air temperature, atmospheric pressure, air humidity.

Set components:

- THB.S or THB.U sensor
- THBR Single software

You can connect THB.W sensor to the recorder. The sensor measures liquid temperature, e.g. during pipettes calibration.



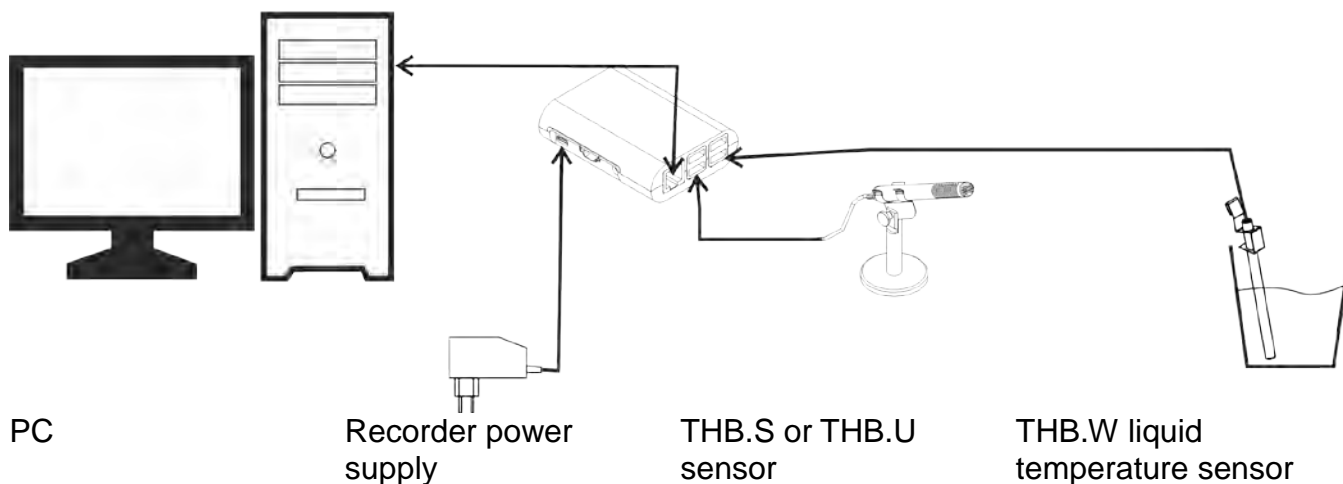
7.3. THBR Box Recorder and THB.S or THB.U Sensor

In order to run the recorder, connect it to the computer; next connect the THB.S or THB.U sensor to the recorder.

On your computer install the THBR Multi software enabling readout of measured quantities values, next set communication parameters. In order to do it correctly, follow instructions provided in user manual of the balance.

THBR Box records: air temperature, atmospheric pressure, air humidity, obtained via connected THB.S or THB.U sensor. THBR Box enables recording data from up to 4 THB.S or THB.U sensors. THB.W sensor can also be connected to the recorder. THB.W sensor measures liquid temperature, e.g. during pipettes calibration.

By standard the set comprises one THB.S or THB.U sensor.

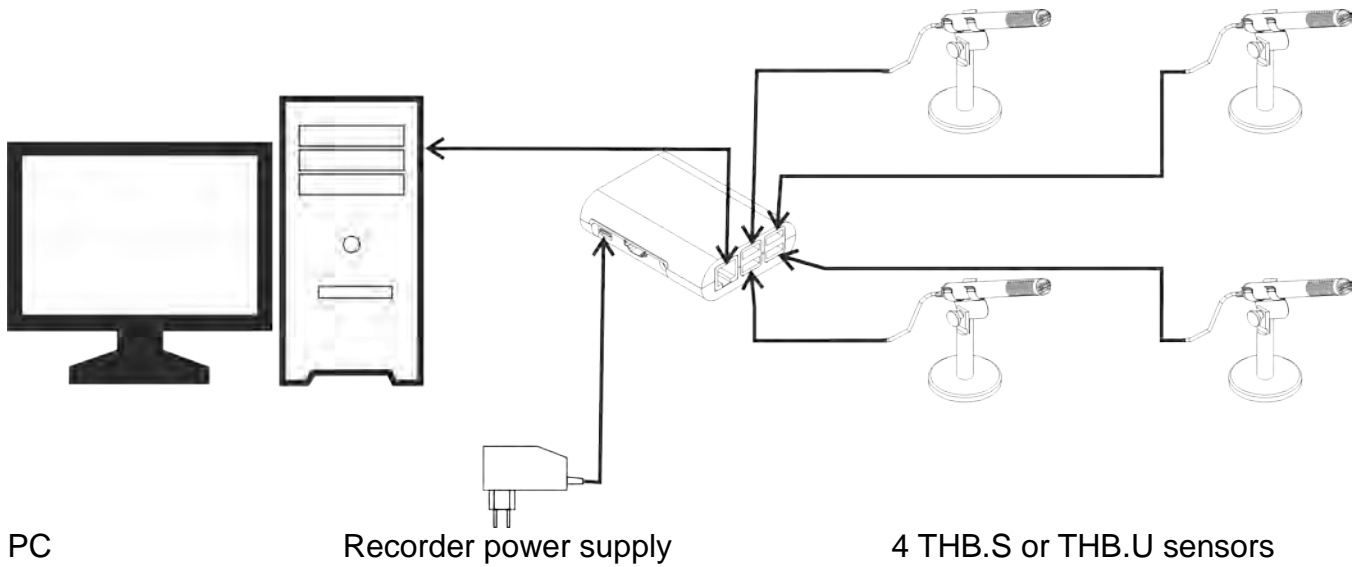


Within set time intervals the measuring unit carries out readout of the metrological data simultaneously from all sensors. The data is then saved to the device's internal memory. The recorder is powered via external 10-20VDC power supply. Additionally, it features an internal battery. The battery is charged during operation via external power supply. The device can be connected to a PC with installed THBR Multi software via standard ETHERNET cable, which software allows preview and readout of the parameters saved to the recorder.

Set components:

- THBR Box recorder
- THB.S or THB.U sensor
- THB.W liquid temperature sensor
- 12V power supply,
- USB B cable
- THBR Multi software

You can purchase three additional THB.S or THB.U sensors. Follow the below diagram to connect them.



8. MAINTENANCE, SERVICE, RECYCLING

Any maintenance activities (cleaning) must be performed after disconnection of the device from both the balance and the computer.

8.1. Maintenance

Power supply housing and sensors shield can be cleaned using cloth soaked with alcohol-based substance.

8.2. Service

Only authorized RADWAG service points are allowed to disassembly, repair and modify the module.

8.3. Utilisation

The device and the packaging must be recycled in accordance with valid state regulations.

*User manual number:
IMMU-60-02-10-18-EN*



RADWAG BALANCES AND SCALES
ADVANCED WEIGHING TECHNOLOGIES

