

Suction pump for liquids

YA - W

OPERATING MANUAL

IMMU-480-01-01-24-EN



JANUARY 2024

Contents

1. GENERAL INFORMATION	4
2. DIMENSIONS AND TECHNICAL DATA	4
3. BASIC SAFETY TIPS	5
4. DESIGN OF THE YA – W SUCTION PUMP	6
5. UNPACKING	6
5.1. Unpacking	6
6. ACTIVATION	7
6.1. Operation	7
6.2. Emergencies	8
7. MAINTENANCE, SERVICE, DISPOSAL	8
7.1. Maintenance	8
7.2. Service	8
7.3. Disposal	8

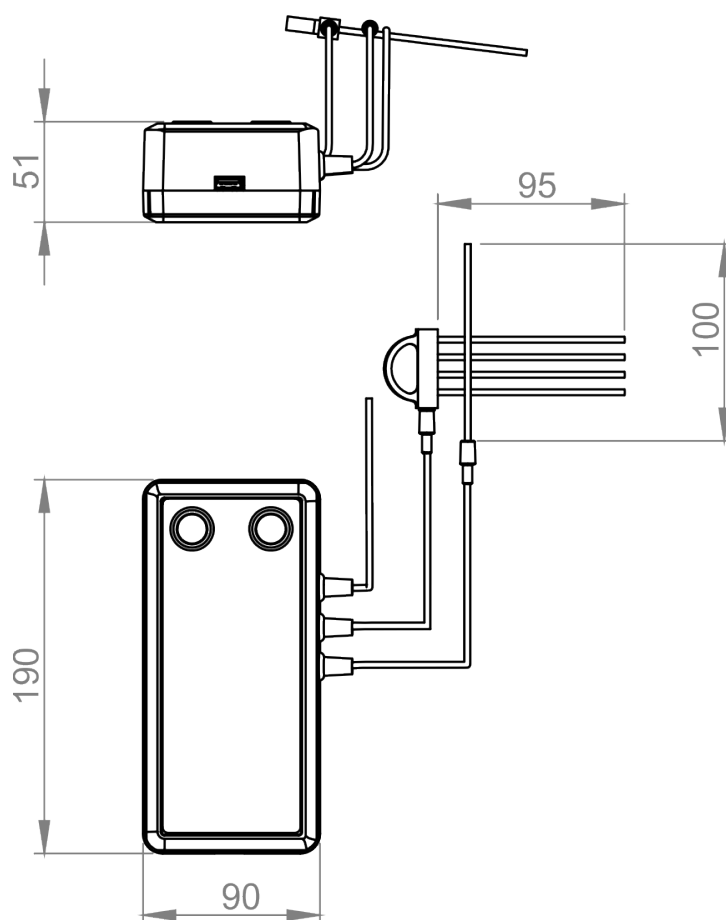
1. GENERAL INFORMATION

The device is supplied with two internal pumps and two built-in keys used to operate separate pumps. The illuminated keys inform the operator about operation of the specific pump.

The set is equipped with two tips that allow sucking water out of a single beaker (a single-channel tip) or four pipettes at a time (a four-channel tip). Water from both channels is carried to the beaker through one tube.

The pump is powered through a USB-A port in the weighing terminal. You can also supply power to it from a phone charger.

2. DIMENSIONS AND TECHNICAL DATA



Net mass	385 g
----------	-------

Ambient conditions:	
Ambient temperature	0 ÷ 40 °C,
Humidity	10 ÷ 80%

Power supply	5V DC
--------------	-------

3. BASIC SAFETY TIPS

The safety tips provide important safety information.

Ignoring the aforesaid tips may lead to bodily injuries, damage or malfunctioning of the device.

Safety tips are marked with the slogans and warning symbols presented below.



Use the pump only as an electronic balance item. It must not be used together with other equipment.



Never use the pump in an explosive atmosphere. The pump is not suitable for operation in dangerous zones.



The pump must operate in the environment that is not exposed to the following:

- high air humidity (regular operation of the device at 10 ÷ 80 % of humidity),
- caustic vapours,
- high temperature (regular operation of the device at 0 ÷ 40 °C),

Make sure there is no water or oil in the operating area.

If the pump has been stored in the area at a considerably lower temperature than the target temperature, wait for the device to stabilise thermally before you connect it to the head. It is about 2 hours at the working temperature.

Otherwise moisture may condensate on the pump and eventually cause the device to get damaged.



In case of identification of any irregular operation of the pump, disconnect the device from the head immediately.



It is forbidden to disassemble, modify or use the device at variance with its intended use.

NIE OTWIERAĆ



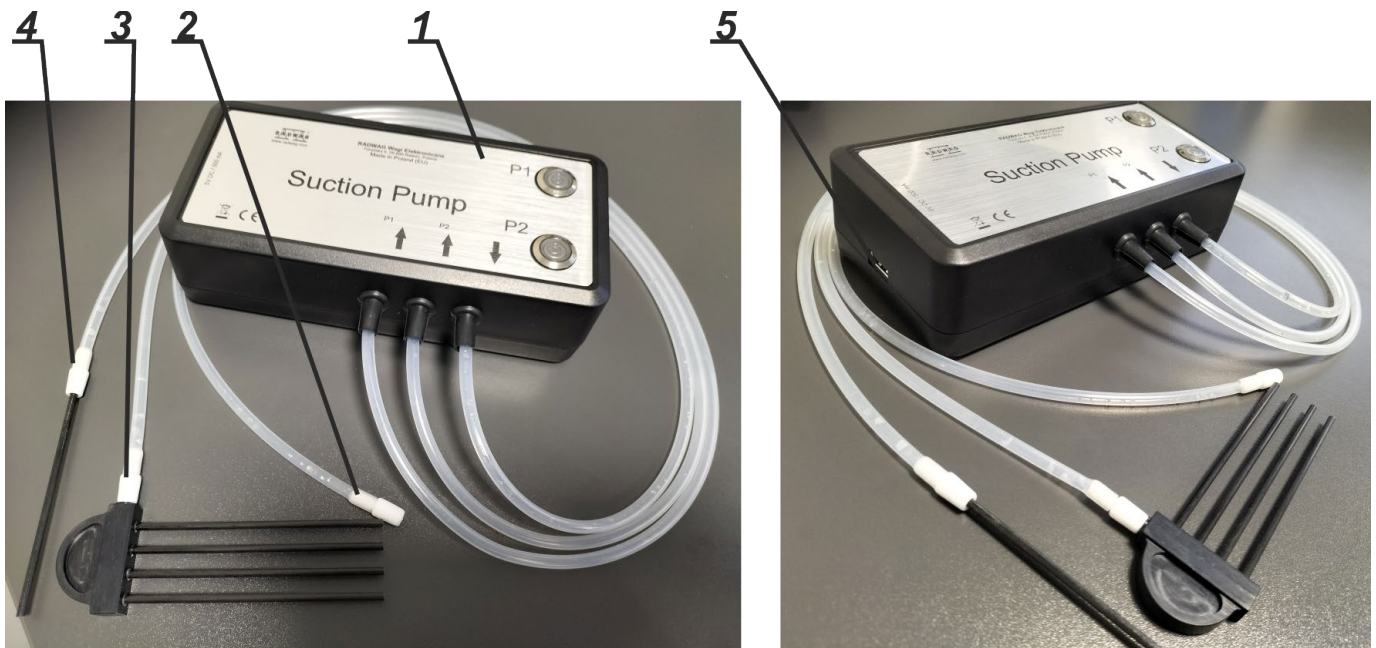
If the device is not used, disconnect it from the head.

Any repair works must be entrusted to the RADWAG's authorised service technician.

4. DESIGN OF THE YA – W SUCTION PUMP

The pump consists of a casing that holds pumps and three tubes (as showed in the picture below). Two of them are used to suck the liquid out of the measuring vessels, while the third serves to carry the liquid to the beaker. Each pump is supplied with a USB-A/USB-A power cable.

1. Casing.
2. Discharging tube.
3. Sucking tube with four tips.
4. Sucking tube with one tip.
5. USB-A port of the power cable.



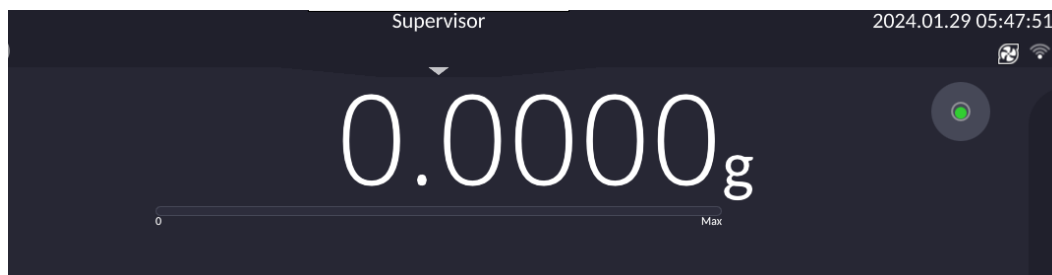
5. UNPACKING

5.1. Unpacking

Unpack the delivered box, remove protective foam rubbers, then carefully take the pump out of the box and position it in a dedicated place.

6. ACTIVATION

To activate the pump, you need to connect the device to the USB port in the 5Y balance head. When the pumps have been connected, an icon in the top right corner of the screen will show up.



6.1. Operation

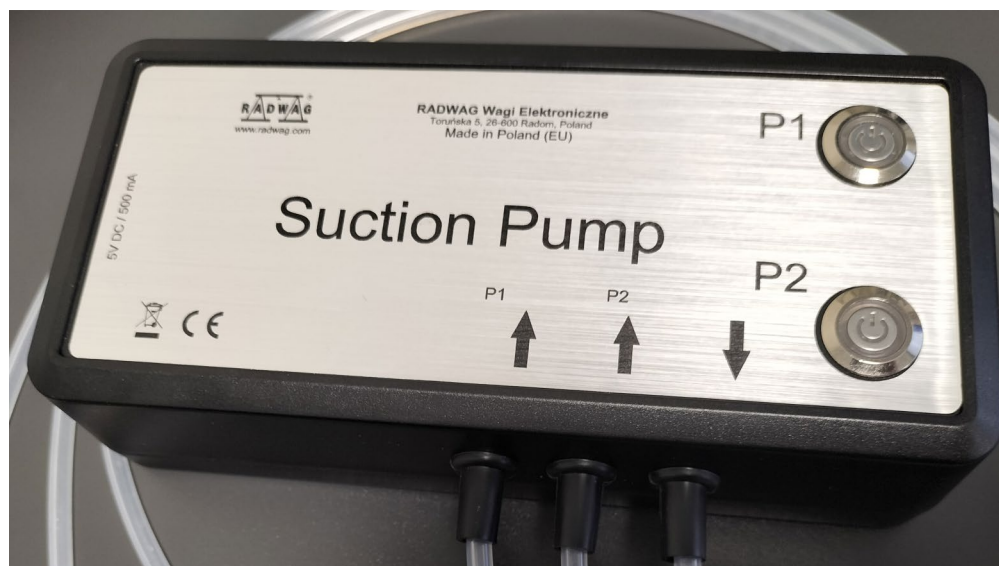
The pump is used to suck liquids out of weighing vessels which it is dosed into during the piston pipette calibration.

Remember to put the liquid-carrying tube into the beaker and secure it against accidental fall before you start sucking the liquid.

The device is supplied with two internal pumps and two built-in P1 and P2 keys that are used to activate and deactivate particular pumps.

When you press the control key, it will be illuminated, which means that a specific pump has been switched on.

To turn the pump off, press the key again and the operation will be finished. The key illumination will be deactivated.



By default keep the pump humid (do not let the pump go dry).

6.2. Emergencies

If you do not use the pump for a long time, an internal membrane may cling to the body of the pump. It will prevent the pump from sucking the liquid. This being the case, pour water into sucking tubes so that they are filled with liquid and the membrane comes unstuck.

For this purposes you can also use compressed air. Yet remember to be careful in order not to damage the pumps.

If the device does not work despite the aforementioned actions, contact the RADWAG's service technician.

7. MAINTENANCE, SERVICE, DISPOSAL



Before you take any maintenance or cleaning works, disconnect the device from the measuring head of the balance.

1. Before you take maintenance works, make sure the device has been unplugged.
2. Never open the pump casing. There are no internal elements that could be cleaned, repaired or replaced.

7.1. Maintenance

Clean the pump casing and tubes on a periodical basis. To do so, wipe them with a cloth saturated with an alcohol-based liquid.

7.2. Service

Only RADWAG's authorised service centres are allowed to open, repair and manipulate the structure of the pump.

7.3. Disposal

It is allowed to dispose of the device and packaging in accordance with rules of law that apply in the specific area or specific country.



RADWAG BALANCES AND SCALES
ADVANCED WEIGHING TECHNOLOGIES

