



More information on the website
mirror.radwag.com/us/info,w1,ZQA

WAY 200.5Y.KO Mass Comparator



The drawings, photos and graphics used are for illustrative purposes only.

Datasheet

E1	5 – 200 g
E2	100 mg – 200 g
F1	1 mg – 200 g
F2	1 mg – 200 g
M1	1 mg – 200 g
M2	1 mg – 200 g
Maximum capacity [Max]	210 g
Readability [d]	0,001 mg
Standard repeatability [5% Max]	3 µg
Standard repeatability [Max]	4 µg
Permissible repeatability	6 µg
Eccentricity (tested load)	0 mg*
Electric compensation range	-1 g – +10 g
Stabilization time	30 s
Adjustment	internal

Physical parameters	
Display	10" graphic colour touchscreen
Weighing pan dimensions	ø40 mm
Weighing device dimensions	385×217×525 mm
Controlling device dimensions	249×170×72 mm
Anti-draft chamber dimensions	560×565×340 mm
Packaging dimensions	945×820×1260 mm
Chamber packaging size	860×830×840 mm
Net weight	22,5 kg
Gross weight	32,5 kg
Supplementary weights internal	automatic
Supplementary weights external	10 g
Communication interface	2×USB-A, USB-C, HDMI, Ethernet, Wi-Fi, Hotspot
Operating temperature	+15 – +30 °C
Operating temperature change rate	±0,5 °C / 12 h (±0,3 °C / 4 h)
Relative humidity	40% – 60%
Relative humidity change rate	±3% / 4 h

* Wi-Fi® is a registered trademark of Wi-Fi® Alliance.



Accessories

RFID Tags

Antivibration tables
 Additional modules
 Protective cover for balances
 Barcode scanners
 RS 232, RS 485 cables

Label Printers

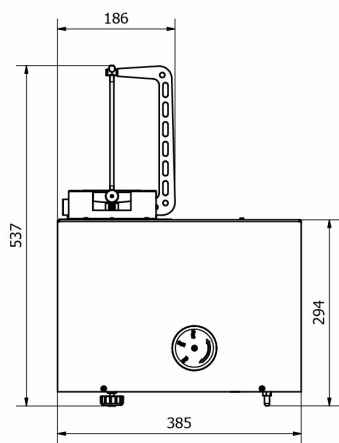
THBR 2.0 System - Ambient Conditions Monitoring
 Receipt Printer
 Fingerprint Reader
 RS 232, RS 485 cables
 RS 232 cables (scale - printer)

Software

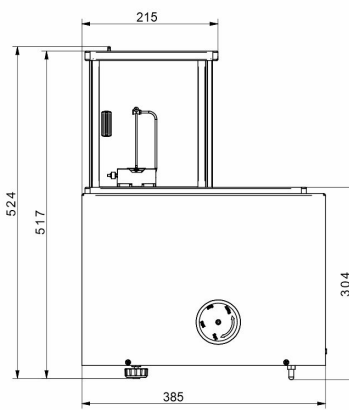
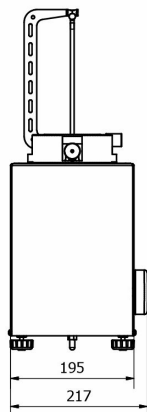
- RAD Key [WX-010-0005]
- RMCS System Network Management of Calibration Process [WX-010-0048]

- RMCS Lite [WX-010-0164]

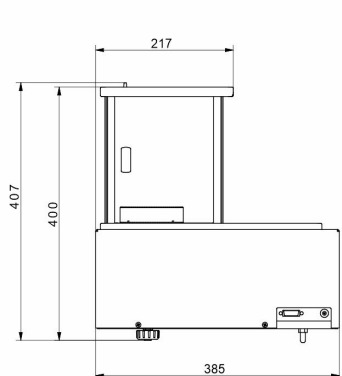
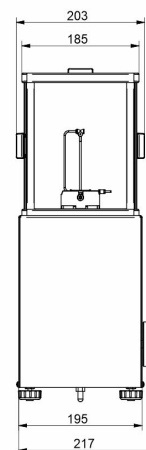
Device dimensions



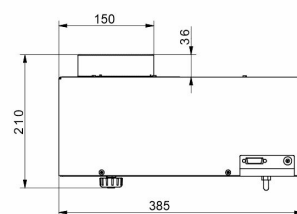
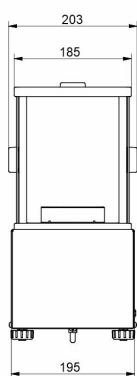
WAY 5.5Y.KO



WAY 100.5Y.KO



WAY 1200.5Y.KO



WAY 5100.5Y.KO