



More information on the website
mirror.radwag.com/us/info,w1,ZJD

HX7.4.1500.H9/Z Multifunctional Stainless Steel Platform Scale, pit version

WP-226-0018



The drawings, photos and graphics used are for illustrative purposes only.

Functions



Dosing



Percent Weighing



Parts counting



Formulation



Replaceable unit



ALIBI Memory

Datasheet

| Metrological parameters | |
|--|----------|
| Maximum capacity [Max] | 1500 kg |
| Minimum load | 10 kg |
| Readability [d] | 500 g |
| Verification unit [e] | 500 g |
| Tare range | -1500 kg |
| Max readability for non-verified scale | 200 g |
| OIML Class | III |

| Physical parameters | |
|--------------------------------|---|
| Display | 7" graphic colour |
| Cable length | 3 m |
| Weighing pan dimensions | 1500×1500 mm |
| Packaging dimensions W x D x H | 1700×1700×550 mm |
| Net weight | 213 kg |
| Gross weight | 250 kg |
| Construction | |
| Protection class | IP 66 / 69 construction, IP 66 / 67 terminal |
| Keypad | membrane |
| Construction | Stainless steel AISI304 |
| Communication interface | |
| Communication interface | RS232, USB-A, 4IN, 4OUT, Ethernet, Modbus TCP/IP |
| Optional interfaces | USB (M12 4P), RS485, RS232, Profibus (Dp SLAVE), PROFINET (RJ45), EtherNet/IP (RJ45), 12 IN / 12 OUT, 4-20mA, 0-10V |
| Electrical parameters | |
| Power supply | 100 – 240 V AC 50/60 Hz |
| Power consumption max. | 25 W |
| Optional power supply | 12 – 24 V DC |
| Environmental conditions | |
| Operating temperature | -10 – +40 °C |
| Storage temperature | -10 – +50 °C |
| Relative humidity | 10% – 80% RH no condensation |
| Indicator | PUE HX7 |
| Number of buttons | 22 |
| Features of use | |
| Max number of platforms | 2 |



Additional fee for verification



Accessories (Additional Fee)

RS 232 cables (scale - printer)
 RS 232 cables (scale - ZEBRA printer)
 Displays
 Power Adapters
 RS 232, RS 485 cables
 USB cable (scale - printer)
 IN/OUT Cables
 Barcode scanners

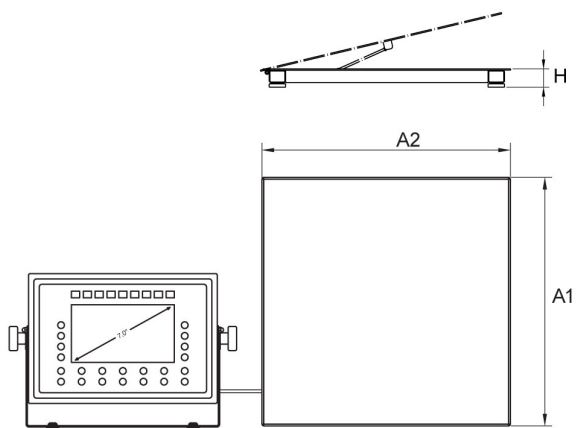
Label Printers
 Stands, wall mounting kits and mounting brackets
 Keypad, external switches
 USB adapter
 Receipt Printer
 Additional Weighing platforms Module
 RS 232 – USB Converter
 Additional modules

Software (Additional Fee)

- E2R Weighing [WX-010-0099]
- Label Editor R02 [WX-010-0094]
- Scale Editor - EWAG 2.1 [WX-010-0173]

- RAD Key [WX-010-0005]
- Alibi Reader PC Software [WX-010-0114]
- RADWAG Development Studio [WX-010-0104]

Device dimensions W x D x H



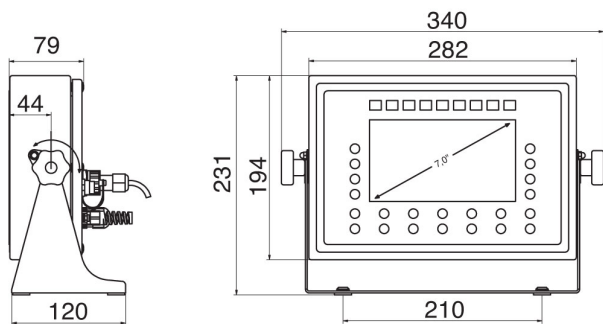
| Typ wagi | A1 | A2 | B |
|-------------|------|------|-------|
| HX7.H6/Z | 800 | 800 | 88±2 |
| HX7.H7/Z | 1000 | 1000 | 88±2 |
| HX7.H8/Z | 1200 | 1200 | 88±2 |
| HX7.H8/Z* | 1200 | 1200 | 111±2 |
| HX7.H 8/9/Z | 1200 | 1500 | 88±2 |
| HX7.H8/9Z* | 1200 | 1500 | 111±2 |
| HX7.H9/Z | 1500 | 1500 | 88±2 |
| HX7.H9/Z* | 1500 | 1500 | 111±2 |
| HX7.H10/Z | 1500 | 2000 | 111±2 |
| HX7.H10/Z** | 1500 | 2000 | 166±2 |

wymiar podawany w mm
dimensions in mm

* dla Max ≥ 3000

**Max ≥ 3000 dla Max ≥ 6000

* Max ≥ 6000



PUE HX7