



More information on the website
mirror.radwag.com/en/info,w1,ZAE

AS 220.R2 PLUS Analytical Balance

WL-104-0177



The drawings, photos and graphics used are for illustrative purposes only.

Functions



Autotest



Dosing



Percent Weighing



Totalizing



Parts counting



Peak hold



Newton unit measurement



Statistics



Checkweighing



Under-pan weighing



GLP Procedures



Animal weighing



Density determination

Datasheet

Metrological parameters	
Maximum capacity [Max]	220 g
Minimum load	10 mg
Readability [d]	0.1 mg
Verification unit [e]	1 mg
Tare range	-220 g
Minimum weight (USP)	140 mg

Metrological parameters	
Minimum weight (U=1%, k=2)	14 mg
Standard repeatability [Max]	0.08 mg
Standard repeatability [5% Max]	0.07 mg
Permissible repeatability [Max]	0.1 mg
Permissible repeatability [5% Max]	0.09 mg
Linearity	±0.2 mg
Stabilization time	2 s
Adjustment	internal (automatic)
OIML Class	I
Physical parameters	
Leveling system	manual
Display	5.3" LCD (backlit)
Weighing chamber doors	manual
Delivery components	Balance, weighing pan, weighing pan shield, bottom cover, power supply.
Weighing pan dimensions	ø100 mm
Packaging dimensions W x D x H	490×400×520 mm
Net weight	7 kg
Gross weight	9 kg
Construction	
Protection class	IP 43
Communication interface	
Communication interface	2×RS232 ¹ , 2×USB-A (interchangeable), USB-B, Wi-Fi (option)
Electrical parameters	
Power consumption max.	3 W
Environmental conditions	
Operating temperature	+10 – +40 °C
Relative humidity	40% – 80%

Repeatability is expressed as a standard deviation from 10 weighing cycles.

Stabilization time depends on the ambient conditions and the dynamics of weighing pan loading; specified for FAST profile.

* Power consumption depends on the terminal configuration as well as the number and type of external devices connected.

¹ Barcode scanners, available as weighing instrument accessory, communicate with the instrument via RS232 interface exclusively.

* Wi-Fi® is a registered trademark of Wi-Fi® Alliance.



Additional fee for verification



Accessories (Additional Fee)

Antivibration Tables
 Holders for laboratory flasks
 Power Adapters
 Cigarette lighter receptacle power supply cables

Balance Storage Case
 RS 232, RS 485 cables
 Displays
 Protective cover for balances

Density determination KIT
USB cable (scale - printer)
Professional Weighing Tables
Barcode scanners
Holders for test tubes and filters
Workstation for Pipettes Calibration

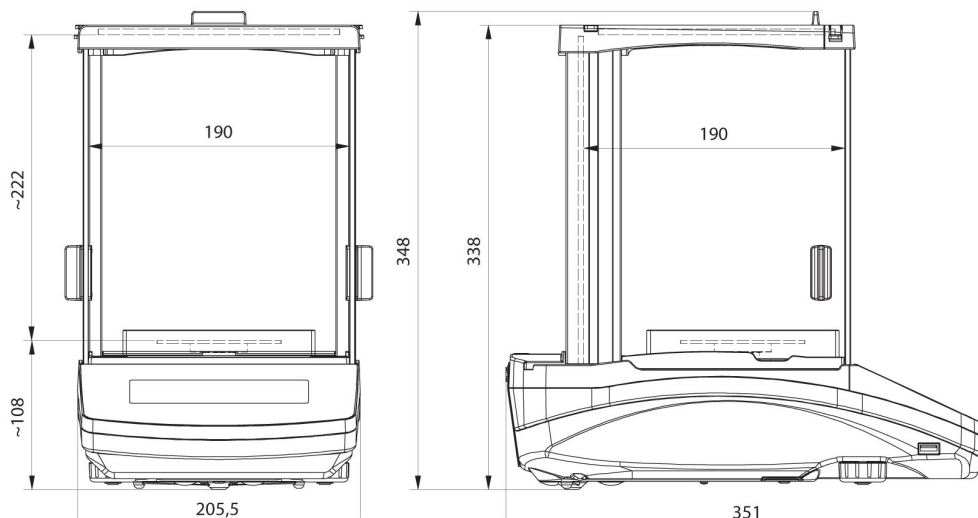
Weighing dishes
Antistatic ionizer
Receipt Printer
Under-pan weighing
RS 232 cables (scale - printer)

Software (Additional Fee)

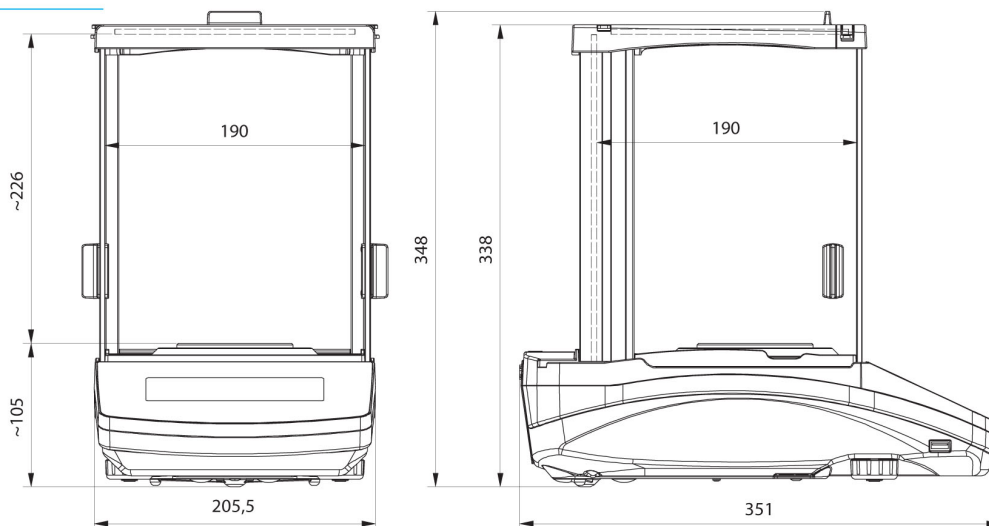
- RAD Key [WX-010-0005]
- Alibi Reader [WX-010-0114]
- RADWAG Development Studio [WX-010-0104]

- R-Panel [WX-010-0187]
- R-Lab [WX-010-0080]

Device dimensions W x D x H



AS R2, d = 0.01 mg



AS R2, AS R1 d = 0.1 mg