



More information on the website
mirror.radwag.com/en/info,w1,YR6

HX7.1,5.H1 Multifunctional Scale

WP-122-0002



The drawings, photos and graphics used are for illustrative purposes only.

Functions



Dosing



Percent Weighing



Parts counting



Formulation



Replaceable unit



ALIBI Memory

Datasheet

Metrological parameters

Maximum capacity [Max]	1.5 kg
Minimum load	10 g
Readability [d]	0.5 g
Verification unit [e]	0.5 g
Tare range	-1.5 kg
Max readability for non-verified scale	0.2 g
OIML Class	III

Physical parameters

Display	7" graphic colour
---------	-------------------

Physical parameters	
Weighing pan dimensions	150×200 mm
Packaging dimensions W x D x H	310×370×460 mm
Net weight	7.8 kg
Gross weight	9.4 kg
Construction	
Protection class	IP 66 / 67 construction, IP 66 / 67 terminal
Keypad	membrane
Construction	Stainless steel AISI304
Weighing pan material	Stainless steel AISI304
Communication interface	
Communication interface	RS232, USB-A, 4IN, 4OUT, Ethernet, Modbus RTU
Optional interfaces	USB (M12 4P), Ethernet, module RS485, module RS232, module Profibus (Dp SLAVE), PROFINET (RRJ45), EtherNet/IP (RRJ45), 12 IN, 12 OUT, 4-20mA, 0-10V
Electrical parameters	
Power supply	100 – 240 V AC 50/60 Hz
Power consumption max.	25 W
Optional power supply	12 – 24 V DC
Environmental conditions	
Operating temperature	-10 – +40 °C
Storage temperature	-10 – +50 °C
Relative humidity	10% – 80% RH no condensation
Indicator	PUE HX7
Number of buttons	22
Features of use	
Max number of platforms	2



Additional fee for verification



Accessories (Additional Fee)

AP2-4 Current Loop Unit
 RS 232 cables (scale - printer)
 Roller Table
 RS 232 cables (scale - ZEBRA printer)
 Antivibration Tables
 Displays
 Power Adapters
 RS 232, RS 485 cables
 USB cable (scale - printer)
 IN/OUT Cables

Barcode scanners
 Label Printers
 Stands, wall mounting kits and mounting brackets
 Keypad, external switches
 USB adapter
 Receipt Printer
 Additional Weighing platforms Module
 RS 232 – USB Converter
 Additional modules

Software (Additional Fee)

- E2R Weighing [WX-010-0099]
- Label Editor R02 [WX-010-0094]

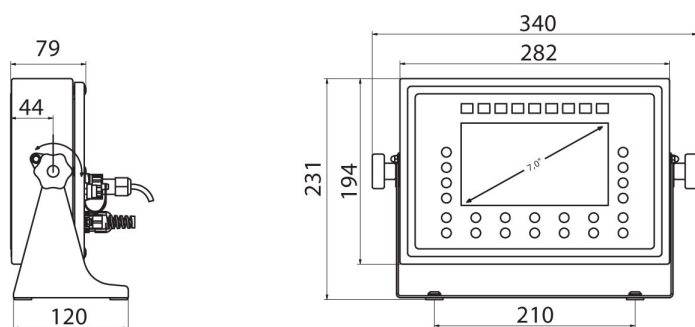
- RAD Key [WX-010-0005]
- Alibi Reader [WX-010-0114]

Device dimensions W x D x H



H Platform

	A1	A2	H
HX7.H1	200	150	85±3
HX7.H2	250	300	103±3
HX7.H3	410	410	98±2
HX7.H4	500	500	155±5
HX7.H3/5	400	600	155±5
HX7.H5	600	600	155±5
HX7.H6	800	800	135±5



PUE HX7