



More information on the website  
[mirror.radwag.com/en/info,w1,Y6S](http://mirror.radwag.com/en/info,w1,Y6S)

# WLC 0.6/A1/C/2 Precision Balance

WL-217-0006



The drawings, photos and graphics used are for illustrative purposes only.


## Functions

 Plus/Minus Control

 Percent Weighing

 Totalizing

 Parts counting

 Internal battery

 Peak hold

 Newton unit measurement

 Under-pan weighing

## Datasheet

### Metrological parameters

Maximum capacity [Max]	0.6 kg
Minimum load	0.5 g
Readability [d]	0.01 g
Verification unit [e]	0.1 g
Tare range	-0.6 kg
Repeatability	0.015 g
Linearity	±0.02 g
Stabilization time	3 s
Adjustment	internal (automatic)

Metrological parameters	
OIML Class	II
Physical parameters	
Leveling system	manual
Display	4.3" LCD (backlit)
Weighing pan dimensions	128×128 mm
Packaging dimensions W x D x H	430×270×190 mm
Net weight	2.3 kg
Gross weight	3.5 kg
Construction	
Protection class	IP 43
Communication interface	
Communication interface	2×RS232, USB-A, USB-B
Electrical parameters	
Power supply	Adapter: 100 – 240V AC 50/60Hz 0.6A; 12V DC 1.2A Balance: 10 – 15VDC 0.6A max
Operation time on batteries	15 h (average time)
Environmental conditions	
Operating temperature	+15 – +30 °C
Relative humidity	10% – 85% RH no condensation

**Repeatability** is expressed as a standard deviation from 10 weighing cycles.

**Stabilization time** depends on the ambient conditions and the dynamics of weighing pan loading; specified for FAST profile.



Additional fee for verification



## Accessories (Additional Fee)

Balance Storage Case  
Antivibration Tables  
Power Adapters  
RS 232 cables (scale - printer)  
Cigarette lighter receptacle power supply cables  
Under-pan weighing  
RS 232, RS 485 cables

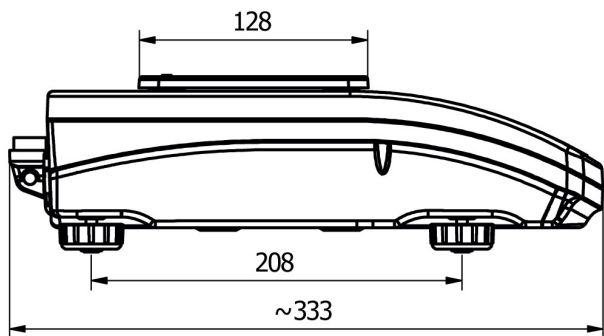
Draft Shield  
RS 232 – Ethernet Converter  
Displays  
Receipt Printer  
Protective cover for balances  
RS 232 – RS 485 Converter

## Software (Additional Fee)

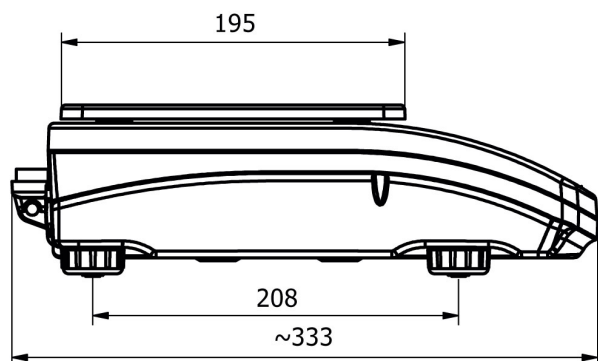
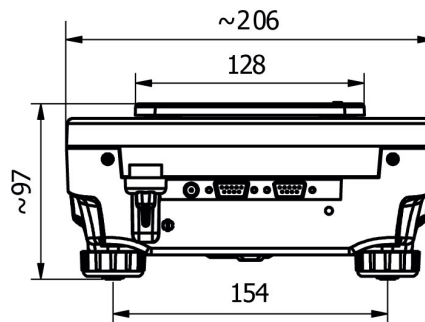
- RAD Key [WX-010-0005]
- R-Lab [WX-010-0080]

- Alibi Reader [WX-010-0114]
- Scale Editor 2.1 [WX-010-0173]

# Device dimensions W x D x H



WLC A1



WLC A2

