



More information on the website
mirror.radwag.com/us/info,w1,X0B

PS 1000.R2.H Precision Balance

WL-221-0005



The drawings, photos and graphics used are for illustrative purposes only.

Functions

-  Autotest
-  Dosing
-  Percent Weighing
-  Totalizing
-  Parts counting
-  Peak hold
-  Newton unit measurement
-  Statistics
-  Checkweighing
-  Under-pan weighing
-  GLP Procedures
-  Animal weighing
-  Density determination

Datasheet

| Metrological parameters | |
|----------------------------|---------|
| Maximum capacity [Max] | 1000 g |
| Minimum load | 20 mg |
| Readability [d] | 0,001 g |
| Tare range | -1000 g |
| Minimum weight (USP) | 1 g |
| Minimum weight (U=1%, k=2) | 0,1 g |

| Metrological parameters | |
|---------------------------------|--|
| Standard repeatability [5% Max] | 0,0005 g |
| Repeatability (Max) | 0,0015 g |
| Linearity | ±0,003 g |
| Stabilization time | 2 s |
| Adjustment | internal (automatic) |
| Sensitivity temperature drift | $2 \times 10^{-6} / ^\circ\text{C} \times \text{Rt}$ |
| Physical parameters | |
| Leveling system | manual |
| Display | 5,3" LCD (backlit) |
| Weighing pan dimensions | ø100 mm |
| Packaging dimensions W x D x H | 475x380x345 mm |
| Net weight | 4,5 kg |
| Gross weight | 6 kg |
| Construction | |
| Protection class | IP 54 |
| Communication interface | |
| Communication interface | 2xRS232 ¹ , USB-A, USB-B, Wi-Fi (option) |
| Electrical parameters | |
| Power supply | Adapter: 100 – 240V AC 50/60Hz 0.6A Max; 12V DC 1,2A Balance: 12 – 15V DC 0,7A max; 3 – 5,5W* |
| Power consumption | 4 W |
| Environmental conditions | |
| Operating temperature | +10 – +40 °C |
| Relative humidity | 40% – 80% |

* Wi-Fi® is a registered trademark of Wi-Fi® Alliance.



Accessories (Additional Fee)

Antivibration tables
Power Adapters
Cigarette lighter receptacle power supply cables
USB cable (scale - printer)
Barcode scanners
RS 232, RS 485 cables

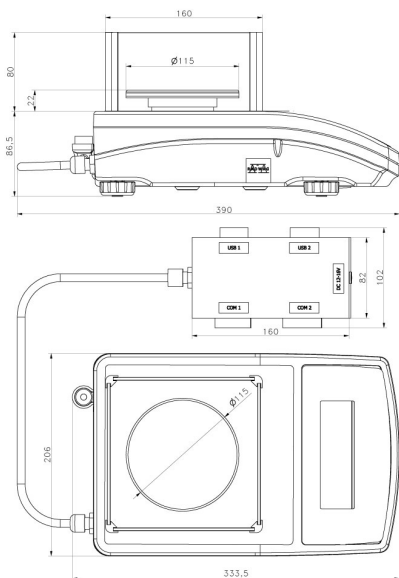
Displays
Receipt Printer
Protective cover for balances
Under-pan weighing
RS 232 cables (scale - printer)

Software (Additional Fee)

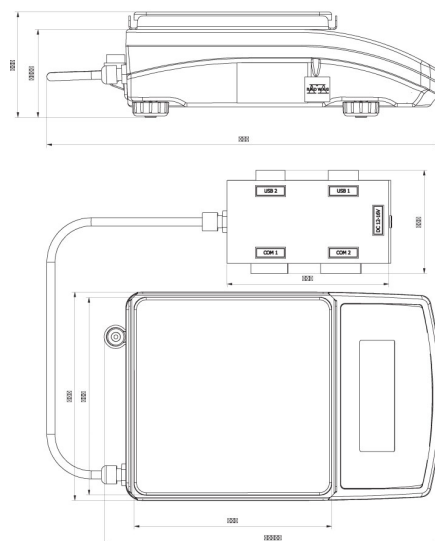
• RAD Key [WX-010-0005]
• Alibi Reader PC Software [WX-010-0114]

• R Panel [WX-010-0187]
• RADWAG Development Studio [WX-010-0104]

Device dimensions W x D x H



PS R2.H, d = 1 mg



PS R2.M.H, d = 10 mg