



More information on the website
mirror.radwag.com/en/info,w1,WK5

AK-4.5000.5Y Automatic Mass Comparators

WL-413-0019



The drawings, photos and graphics used are for illustrative purposes only.

Datasheet

Metrological parameters	
E0 Calibration Range	1 – 5 * kg
E1 Calibration Range	1 – 5 kg
E2 Calibration Range	1 – 5 kg
F1 Calibration Range	1 – 5 kg
F2 Calibration Range	1 – 5 kg
Maximum capacity [Max]	5.05 kg
Readability [d]	0.01 mg
Standard repeatability [5% Max]	15 µg
Standard repeatability [Max]	20 µg
Permissible repeatability	35 µg
Eccentricity (tested load)	0 mg
Electric compensation range	-10 g – +50 g
Stabilization time	30 s
Adjustment	internal (automatic)

Physical parameters	
Display	10" graphic colour touchscreen
Weighing pan dimensions	ø75 mm
Weighing device dimensions	350×405×650 mm
Controlling device dimensions	249×170×72 mm
Anti-draft chamber dimensions	660×470×700 mm
Packaging dimensions	1000×900×685 mm
Chamber packaging size	930×750×1000 mm
Net weight	71 kg
Gross weight	98 kg
Supplementary weights internal	half automatic
Supplementary weights external	-
Communication interface	
Communication interface	2×USB-A, USB-C, RS 232 (COM3), HDMI, Ethernet, Wi-Fi, Hotspot
Electrical parameters	
Power supply	100 – 240 V AC 50/60 Hz
Environmental conditions	
Operating temperature	+15 – +30 °C
Operating temperature change rate	±0.5 °C / 12 h (±0.3 °C / 4 h)
Relative humidity	40% – 60%
Relative humidity change rate	±5% / 12 h (3% / 4 h)

Repeatability is expressed as a standard deviation determined for 6 ABBA cycles. Standard deviation is experimentally determined under ambient conditions for calibration of E1 class mass standards specified in OIML R111 (Table C.1.) document.

E0 standard determined from 1σ limiting error according to OIML R111 for class E1.

* Wi-Fi® is a registered trademark of Wi-Fi® Alliance.



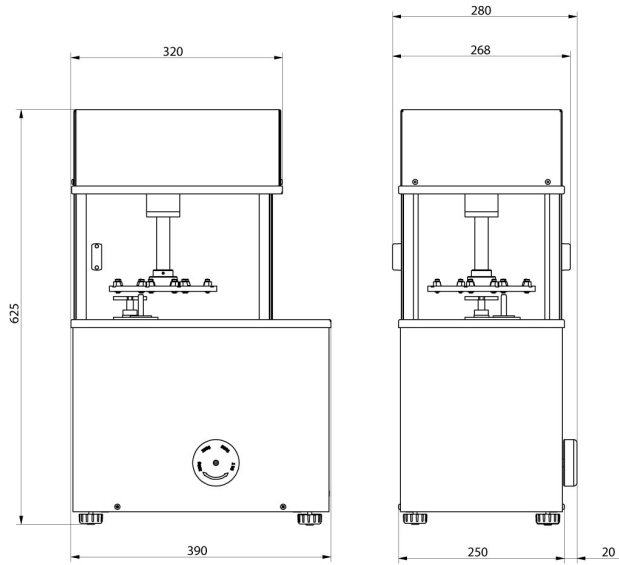
Accessories (Additional Fee)

RFID Tags	THBR 2.0 System - Ambient Conditions Monitoring
Antivibration Tables	Receipt Printer
Additional modules	Fingerprint Reader
Protective cover for balances	RS 232, RS 485 cables
Barcode scanners	RS 232 cables (scale - printer)
RS 232, RS 485 cables	

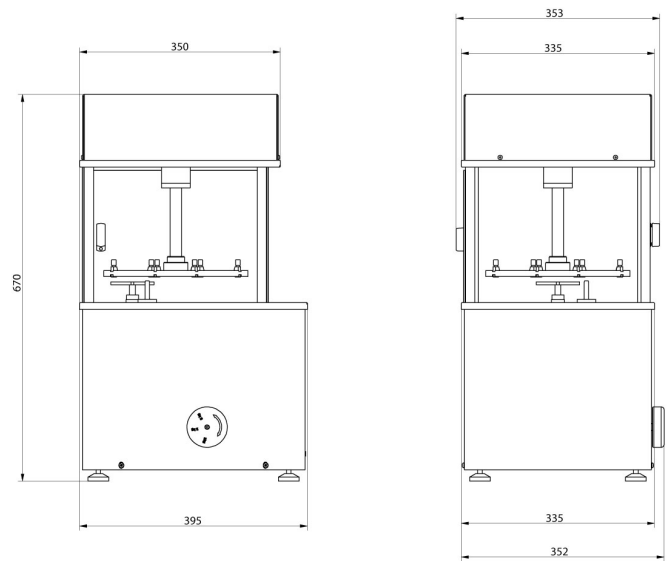
Software (Additional Fee)

- RAD Key [WX-010-0005]
- RMCS System Network Management of Calibration Process [WX-010-0048]
- RMCS Lite [WX-010-0164]

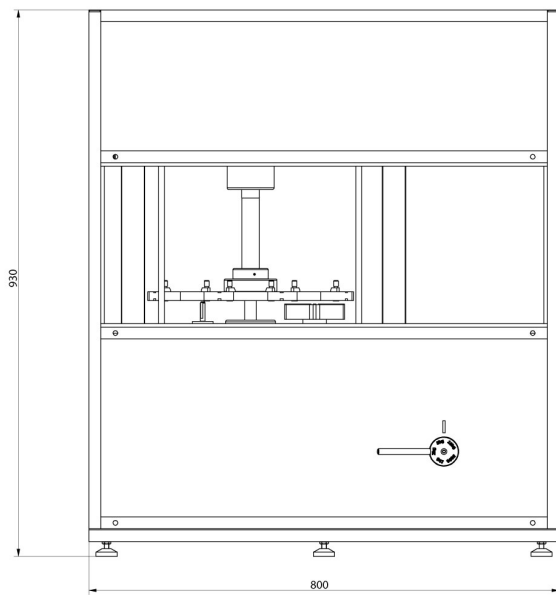
Device dimensions



AK-4/100, AK-4/1000,
AK-4/1000.1



AK-4/2000, AK-4/5000,
AK-4/5000.1



AK-4/10000, AK-4/16000

