



More information on the website
mirror.radwag.com/en/info,w1,WIY

Ramp for H9 3000kg Scale

WX-004-0179



The drawings, photos and graphics used are for illustrative purposes only.

Datasheet

Construction	
Material	Stainless steel
Physical parameters	
Platform size	1500×1400 mm

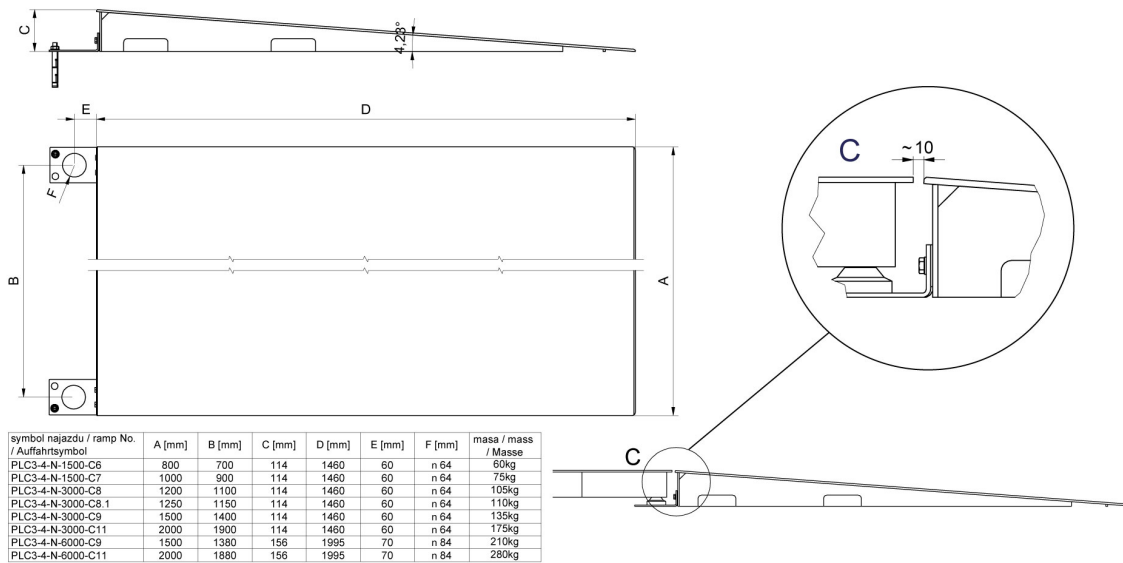


Compatible with (Additional Fee)

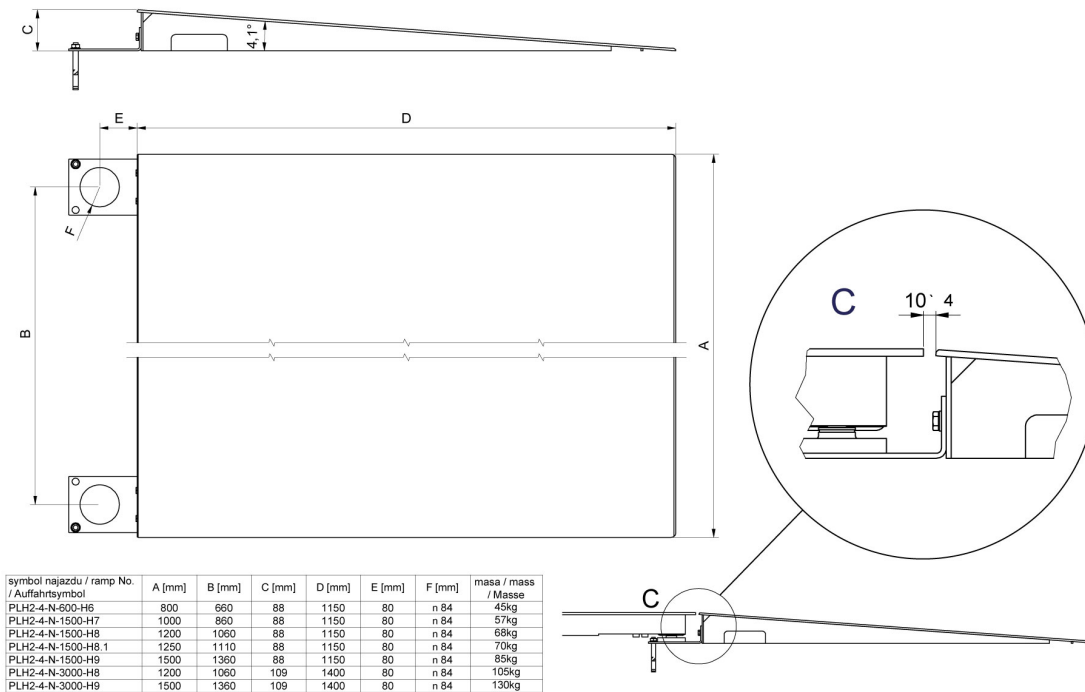
H315 4H Stainless Steel Platform Scale

HX7.4 H Multifunctional Stainless Steel Platform Scale

Device dimensions W x D x H



Ramps made of powder-coated steel



Ramps made of stainless steel