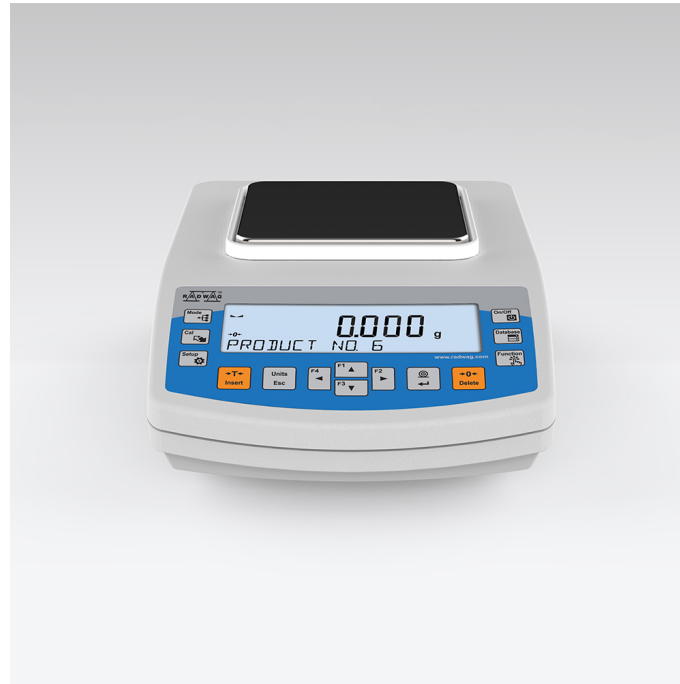




PS 210.R2 Precision Balance

WL-212-0018

More information on the website
mirror.radwag.com/us/info,w1,W30



The drawings, photos and graphics used are for illustrative purposes only.

Functions

-  Autotest
-  Dosing
-  Percent Weighing
-  Totalizing
-  Parts counting
-  Peak hold
-  Newton unit measurement
-  Statistics
-  Checkweighing
-  Under-pan weighing
-  GLP Procedures
-  Animal weighing
-  Density determination

Datasheet

Metrological parameters	
Maximum capacity [Max]	210 g
Minimum load	20 mg
Readability [d]	1 mg
Verification unit [e]	10 mg
Tare range	-210 g
Minimum weight (USP)	1 g

Metrological parameters	
Minimum weight (U=1%, k=2)	0,1 g
Standard repeatability [Max]	1 mg
Standard repeatability [5% Max]	0,5 mg
Linearity	±2 mg
Stabilization time	2 s
Adjustment	internal (automatic)
OIML Class	II
Sensitivity temperature drift	$2 \times 10^{-6} / ^\circ\text{C} \times \text{Rt}$
Physical parameters	
Leveling system	manual
Display	5,3" LCD (backlit)
Delivery components	Balance, weighing pan, weighing pan shield, grounding bumper x1, bumper x3, power supply.
Weighing pan dimensions	128x128 mm
Packaging dimensions W x D x H	475x380x345 mm
Net weight	3,7 kg
Gross weight	5 kg
Construction	
Protection class	IP 43
Communication interface	
Communication interface	2xRS232 ¹ , USB-A, USB-B, Wi-Fi (option)
Electrical parameters	
Power supply	Adapter: 100 – 240V AC 50/60Hz 0.6A Max; 12V DC 1,2A Balance: 12 – 15V DC 0,7A max; 3 – 5,5W*
Power consumption	4 W
Environmental conditions	
Operating temperature	+10 – +40 °C
Relative humidity	40% – 80%

* Wi-Fi® is a registered trademark of Wi-Fi® Alliance.



Additional fee for verification



Accessories (Additional Fee)

!Balance Storage Case
 Antivibration tables
 Power Adapters
 Cigarette lighter receptacle power supply cables
 USB cable (scale - printer)
 Density determination KIT
 Barcode scanners
 Anti-draft Chamber for balances with a weighing pan 128x128mm

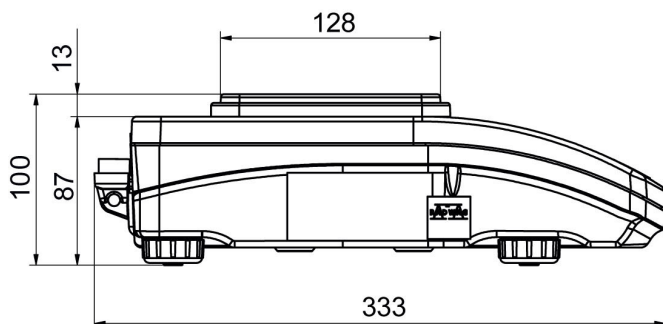
RS 232, RS 485 cables
 Displays
 Draft Shield
 Receipt Printer
 Protective cover for balances
 Under-pan weighing
 RS 232 cables (scale - printer)

Software (Additional Fee)

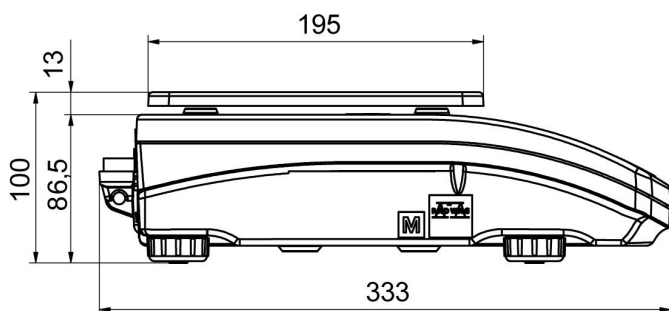
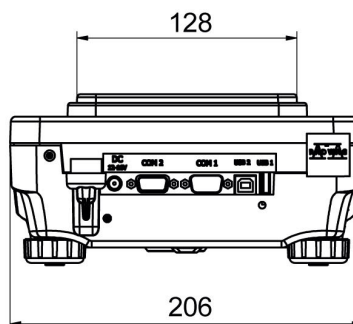
- RAD Key [WX-010-0005]
- Alibi Reader PC Software [WX-010-0114]

- R Panel [WX-010-0187]
- RADWAG Development Studio [WX-010-0104]

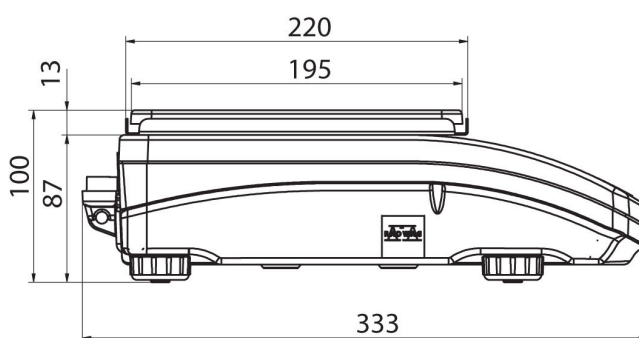
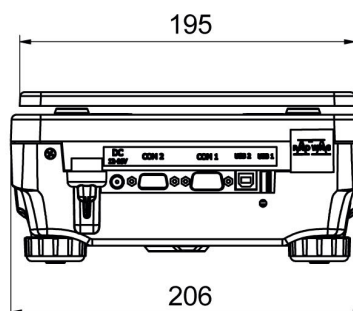
Device dimensions W x D x H



PS R, d = 1 mg



PS R, d = 10 mg



PS R.M, d = 10 mg

