



More information on the website
mirror.radwag.com/en/info,w1,UZ4

MAS.1.21.Y Weighing Module



The drawings, photos and graphics used are for illustrative purposes only.

Datasheet

| Metrological parameters | |
|---------------------------|-----------------------------------|
| Maximum capacity [Max] | 21 g |
| Minimum load | 1 mg |
| Readability [d] | 0.01 mg |
| Tare range | -21 g |
| Minimum weight (USP) | 24 mg |
| Minimum weight (U=1%,k=2) | 2.4 mg |
| Repeatability (Max) | 0.025 mg |
| Repeatability (5% Max) | 0.012 mg |
| Linearity | ±0.06 mg |
| Stabilization time | 6 s |
| Physical parameters | |
| Display | 5.7" resistive colour touchscreen |
| Weighing pan dimensions | ø33 mm |
| Device dimensions | 289×143×125 mm |
| Packaging dimensions | 650×340×315 mm |

| Physical parameters | |
|--------------------------|---|
| Net weight | 4.7 kg |
| Gross weight | 6.7 kg |
| Construction | |
| Protection class | IP 54 |
| Communication interface | |
| Communication interface | 2×RS232, 2×USB-A, Ethernet, 4 IN / 4 OUT (digital), Wi-Fi |
| Electrical parameters | |
| Power supply | 100 – 240 V AC 50/60 Hz |
| Environmental conditions | |
| Operating temperature | +10 – +40 °C |
| Relative humidity | 40% – 80% |

* Wi-Fi® is a registered trademark of Wi-Fi® Alliance.



Accessories

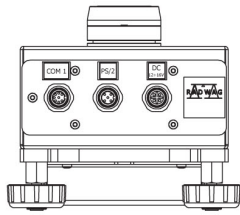
Professional Weighing Tables
 Antivibration Tables
 RS 232, RS 485 cables

RS 232 – USB Converter
 RS 232 cables (scale - printer)

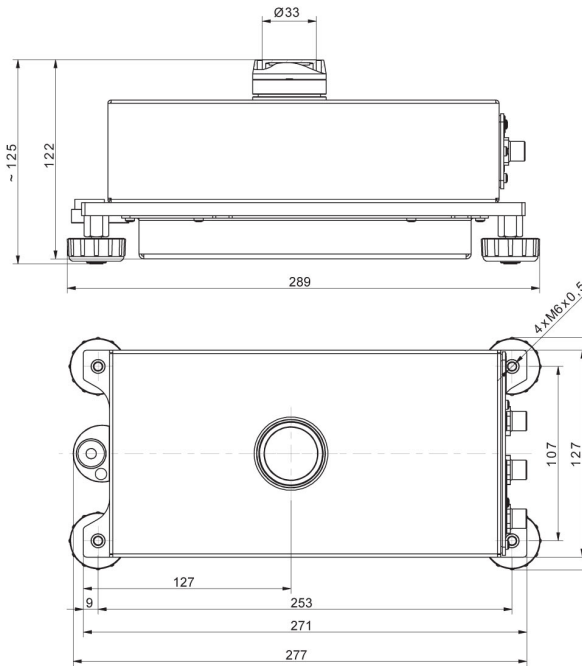
Software

• R-Panel [WX-010-0187]

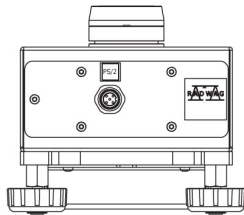
Device dimensions



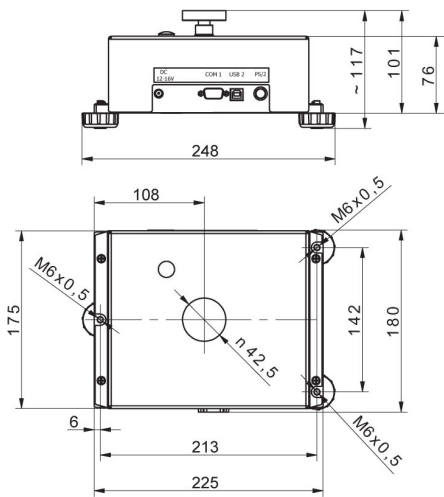
MAS.1
MAS.1.R



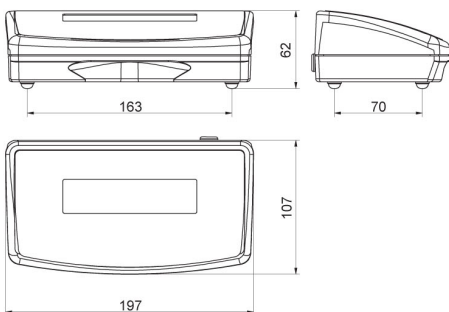
MAS.1



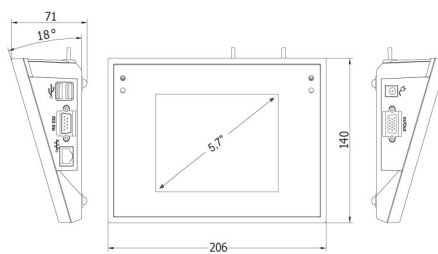
MAS.1.Y



MAS



R operator panel



Y operator panel