



More information on the website  
[mirror.radwag.com/en/info,w1,UZ4](http://mirror.radwag.com/en/info,w1,UZ4)

## MAS.1.21.Y Weighing Module



The drawings, photos and graphics used are for illustrative purposes only.

### Datasheet

Metrological parameters	
Maximum capacity [Max]	21 g
Minimum load	1 mg
Readability [d]	0.01 mg
Tare range	-21 g
Minimum weight (USP)	24 mg
Minimum weight (U=1%,k=2)	2.4 mg
Repeatability (Max)	0.025 mg
Repeatability (5% Max)	0.012 mg
Linearity	±0.06 mg
Stabilization time	6 s
Physical parameters	
Display	5.7" resistive colour touchscreen
Weighing pan dimensions	ø33 mm
Device dimensions	289×143×125 mm
Packaging dimensions	650×340×315 mm

Physical parameters	
Net weight	4.7 kg
Gross weight	6.7 kg
Construction	
Protection class	IP 54
Communication interface	
Communication interface	2×RS232, 2×USB-A, Ethernet, 4 IN / 4 OUT (digital), Wi-Fi
Electrical parameters	
Power supply	100 – 240 V AC 50/60 Hz
Environmental conditions	
Operating temperature	+10 – +40 °C
Relative humidity	40% – 80%

\* Wi-Fi® is a registered trademark of Wi-Fi® Alliance.



## Accessories

Professional Weighing Tables  
 Antivibration Tables  
 RS 232, RS 485 cables

RS 232 – USB Converter  
 RS 232 cables (scale - printer)

## Software

• R-Panel [WX-010-0187]

## Device dimensions



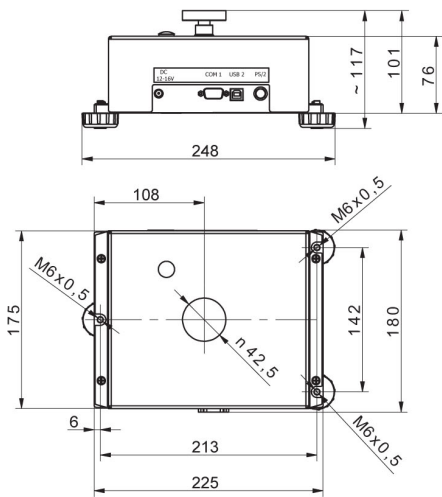
MAS.1  
MAS.1.R



MAS.1



MAS.1.Y



MAS



R operator panel



Y operator panel