



More information on the website  
[mirror.radwag.com/us/info,w1,UTW](http://mirror.radwag.com/us/info,w1,UTW)

# PUE 5.19IR Weighing Terminal

WX-008-0037



The drawings, photos and graphics used are for illustrative purposes only.

## Functions



Dosing



Labelling



Plus/Minus Control



Parts counting



Formulation



Statistics



Checkweighing

## Datasheet

### Metrological parameters

OIML Class	III
Maximum quantity of divisions from converter	8388608
Maximum quantity of verification units	6000 e
Minimum voltage per verification unit	0,4 $\mu$ V
Maximum voltage per verification unit	3,25 $\mu$ V
Minimum load cell impedance	80 $\Omega$
Maximum load cell impedance	1200 $\Omega$
Load cell excitation voltage	5V
Maximum increase of signal	19,5 mV

<b>Metrological parameters</b>	
Connection of load cells	4 or 6 wires
<b>Physical parameters</b>	
Display	19" graphic colour touchscreen
Device dimensions W x D x H	524x420x200 mm
Packaging dimensions W x D x H	590x470x240 mm
Net weight	13,1 kg
Gross weight	15 kg
<b>Construction</b>	
Protection class	IP 66 / 67
Touch panel	infrared
Housing	Stainless steel
<b>Communication interface</b>	
Communication interface	4xUSB 2.0 (2xUSB-A, 2xM12 4P), Ethernet - 2x10/100/1000 Mbit (2xRJ45 hermetic), 2xRS232, RS485 (2xM12 8P)
Optional interfaces	external buttons PRINT, TARE, START - terminal with 4IN/4OUT (M12 8P connector) is required, additional weighing platform module - max. 3 pcs, metrological parameters as in the main weighing platform
<b>Electrical parameters</b>	
Power supply	100 – 240 V AC 50/60 Hz
Power consumption max.	75 W
<b>Environmental conditions</b>	
Operating temperature	0 – +40 °C
Storage temperature	-20 – +60 °C
Relative humidity	10% – 85% RH no condensation
<b>Components and software</b>	
Operating system	Microsoft Windows 11 IoT
Processor	Intel® Celeron® J6412
Chipset	Intel® UHD Graphics for 10th Gen Intel® Processors
Memory	16 GB RAM
Data memory	SSD 512 GB



## Compatible with (Additional Fee)

Waterproof stainless steel platforms  
Mild steel powder coated weighing platforms  
RS 232 cables (scale - printer)  
RS 232 cables (scale - ZEBRA printer)  
Ethernet cables (scale - Ethernet)  
Stainless steel platforms, pit version  
RS 232, RS 485 cables  
Ramp stainless steel platforms  
Displays  
Platforms in plastic casing

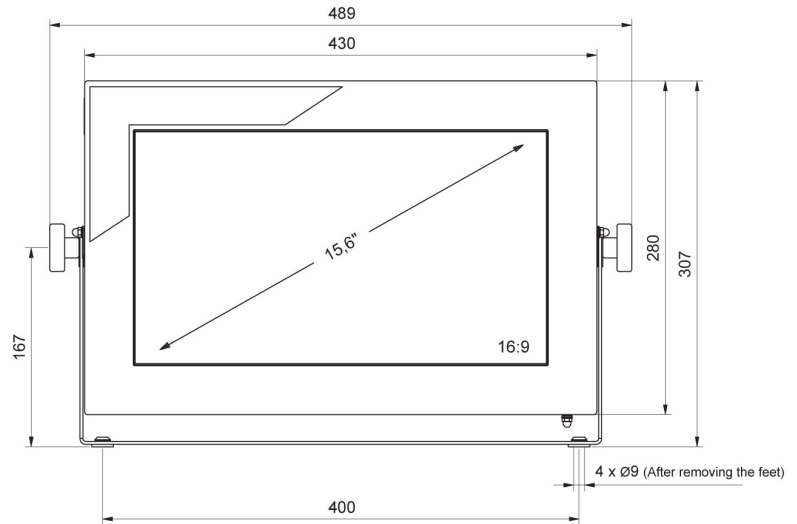
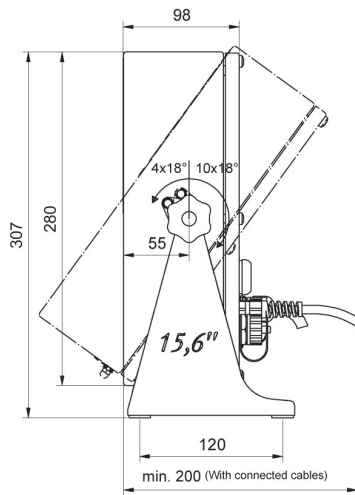
Barcode scanners  
Stainless steel ramp platforms with LD lifting system  
Label Printers  
Additional Weighing platforms Module  
!Keypad, external switches  
USB adapter  
F1 Mass Standard -  
knob weights without adjustment chamber, set  
USB cable (scale - printer)  
RS 232 – USB Converter

## Software (Additional Fee)

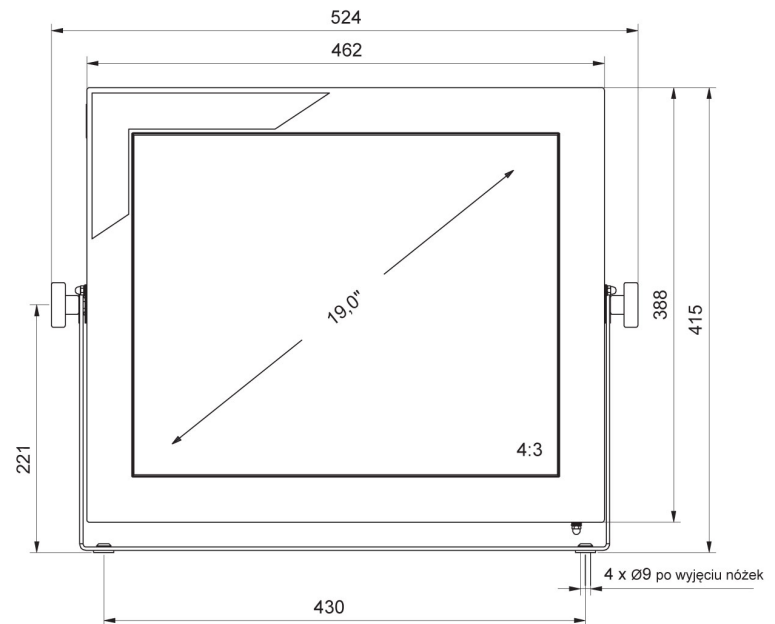
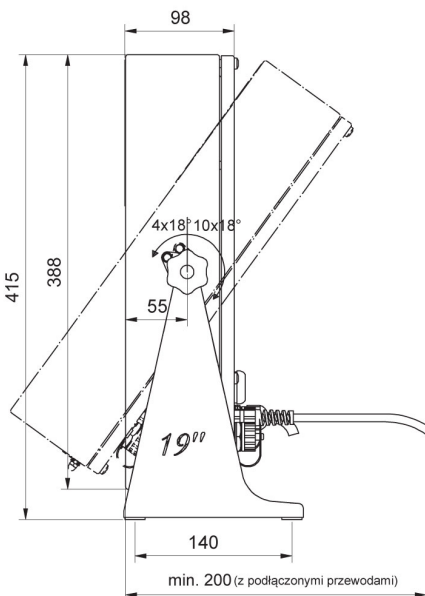
• RAD Key [WX-010-0005]

• Label Editor R02 [WX-010-0094]

## Device dimensions W x D x H



PUE 5.15



PUE 5.19