



More information on the website
mirror.radwag.com/en/info,w1,UTW

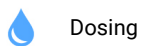
PUE 5.19IR Weighing Terminal

WX-008-0037



The drawings, photos and graphics used are for illustrative purposes only.

Functions



Dosing



Labelling



Plus/Minus Control



Parts counting



Formulation



Statistics



Checkweighing

Datasheet

Metrological parameters

| | |
|----------------------------------------------|---------------|
| OIML Class | III |
| Maximum quantity of divisions from converter | 8388608 |
| Maximum quantity of verification units | 6000 e |
| Minimum voltage per verification unit | 0.4 μ V |
| Maximum voltage per verification unit | 3.25 μ V |
| Minimum load cell impedance | 80 Ω |
| Maximum load cell impedance | 1200 Ω |
| Load cell excitation voltage | 5V |
| Maximum increase of signal | 19.5 mV |

| Metrological parameters | |
|---------------------------------|---------------------------------------------------------------------------------------------------------------------------------------------------------------------------------------------------------|
| Connection of load cells | 4 or 6 wires |
| Physical parameters | |
| Display | 19" graphic colour touchscreen |
| Device dimensions W x D x H | 524×420×200 mm |
| Packaging dimensions W x D x H | 590×470×240 mm |
| Net weight | 13.1 kg |
| Gross weight | 15 kg |
| Construction | |
| Protection class | IP 66 / 67 |
| Touch panel | infrared |
| Housing | Stainless steel |
| Communication interface | |
| Communication interface | 4×USB 2.0 (2×USB-A, 2×M12 4P), Ethernet - 2×10/100/1000 Mbit (2×RJ45 hermetic), 2×RS232, RS485 (2×M12 8P) |
| Optional interfaces | external buttons PRINT, TARE, START - terminal with 4IN/4OUT (M12 8P connector) is required, additional weighing platform module - max. 3 pcs, metrological parameters as in the main weighing platform |
| Electrical parameters | |
| Power supply | 100 – 240 V AC 50/60 Hz |
| Power consumption max. | 75 W |
| Environmental conditions | |
| Operating temperature | 0 – +40 °C |
| Storage temperature | -20 – +60 °C |
| Relative humidity | 10% – 85% RH no condensation |
| Components and software | |
| Operating system | Microsoft Windows 11 IoT |
| Processor | Intel® Celeron® J6412 |
| Chipset | Intel® UHD Graphics for 10th Gen Intel® Processors |
| Memory | 16 GB RAM |
| Data memory | SSD 512 GB |



Compatible with (Additional Fee)

Waterproof stainless steel platforms
Mild steel powder coated weighing platforms
RS 232 cables (scale - printer)
RS 232 cables (scale - ZEBRA printer)
Ethernet cables (scale - Ethernet)
Stainless steel platforms, pit version
RS 232, RS 485 cables
Ramp stainless steel platforms
Displays
Platforms in plastic casing

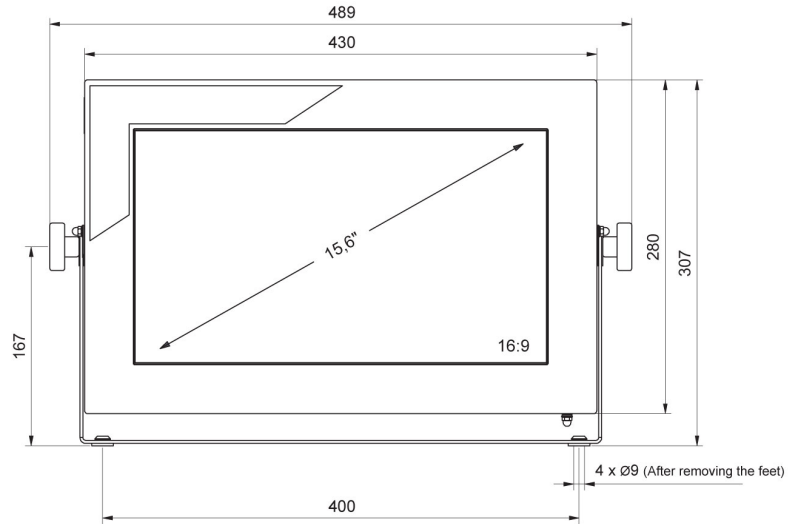
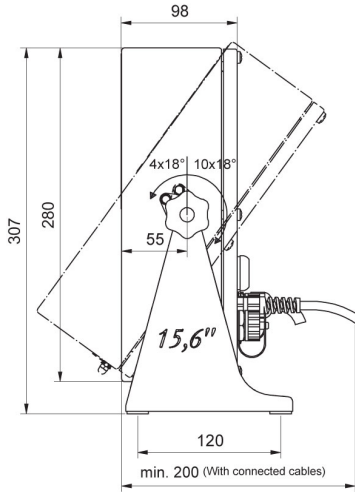
Barcode scanners
Stainless steel ramp platforms with LD lifting system
Label Printers
Additional Weighing platforms Module
Keypad, external switches
USB adapter
F1 Mass Standard -
knob weights without adjustment chamber, set
USB cable (scale - printer)
RS 232 – USB Converter

Software (Additional Fee)

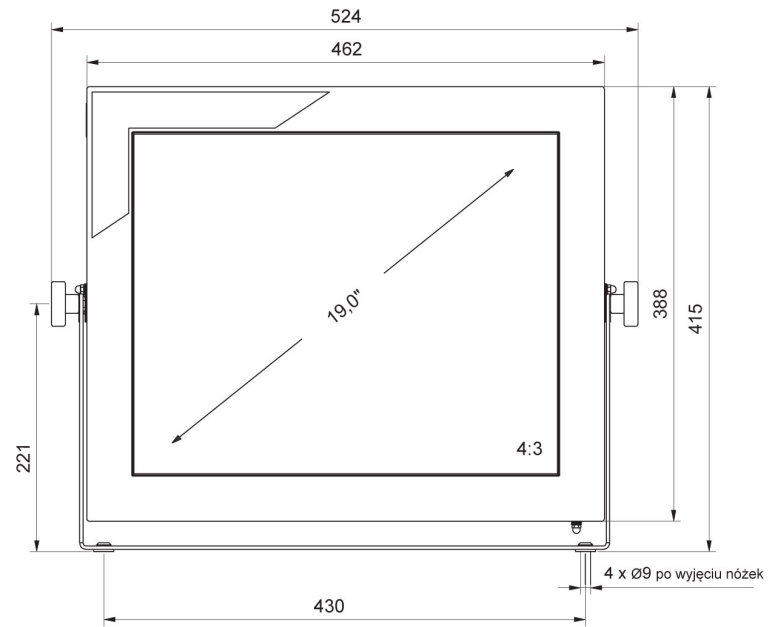
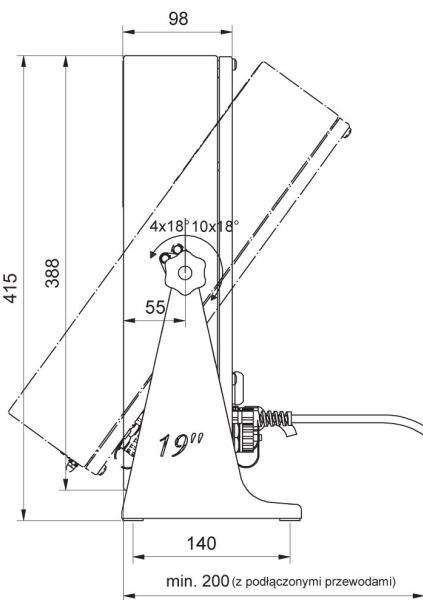
- RAD Key [WX-010-0005]
- R-Lab [WX-010-0080]

- Label Editor R02 [WX-010-0094]

Device dimensions W x D x H



PUE 5.15



PUE 5.19