



More information on the website  
[mirror.radwag.com/en/info,w1,TS4](https://mirror.radwag.com/en/info,w1,TS4)

# Ramp for C10 3000kg Scale

WX-004-0169



The drawings, photos and graphics used are for illustrative purposes only.

## Datasheet

Metrological parameters	
Max readability for non-verified scale	200 g
Construction	
Material	mild steel
Physical parameters	
Platform size	1500×1460 mm

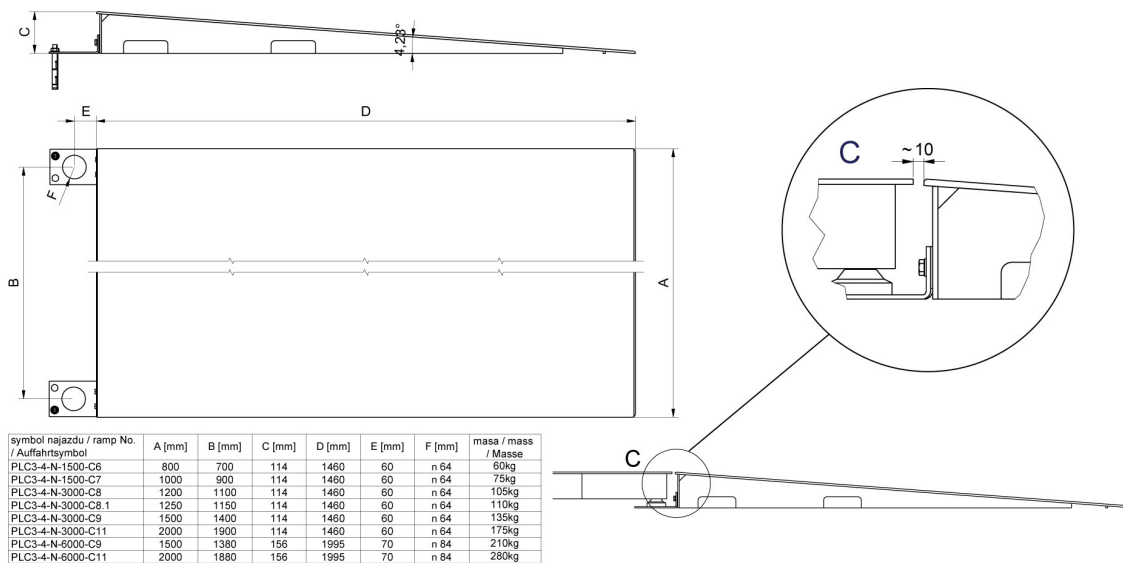


## Compatible with (Additional Fee)

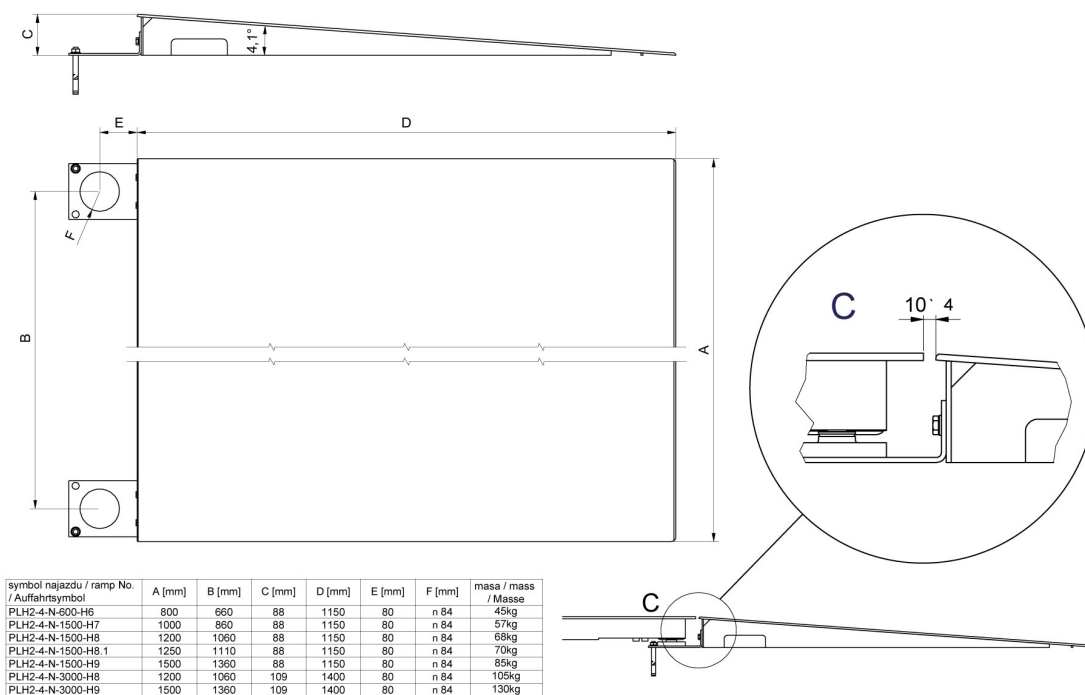
HX7.4C Multifunctional Platform Scale  
 C315.4 Platform Scale

H315 4C Platform Scale

# Device dimensions



## Ramps made of powder-coated steel



## Ramps made of stainless steel