



More information on the website
mirror.radwag.com/us/info,w1,T1H

MAS.1.82/220.Y Weighing Module



The drawings, photos and graphics used are for illustrative purposes only.

Datasheet

Maximum capacity [Max]	82 / 220 g
Minimum load	1 mg
Readability [d]	0,01 / 0,1 mg
Tare range	-220 g
Minimum weight (USP)	40 mg
Minimum weight (U=1%,k=2)	4 mg
Repeatability (Max)	0,1 mg
Repeatability (5% Max)	0,02 mg
Linearity	±0,06 / 0,2 mg
Stabilization time	6 / 2 s
Physical parameters	
Display	5,7" Resistive Color Touchscreen
Weighing pan dimensions	ø42 mm
Device dimensions	289×143×125 mm
Packaging dimensions	650×340×315 mm

Physical parameters	
Net weight	4,7 kg
Gross weight	6,7 kg
Construction	
Protection class	IP 54
Communication interface	2×RS232, 2×USB-A, Ethernet, 4 IN / 4 OUT (digital), Wi-Fi
Power supply	100 – 240 V AC 50/60 Hz
Operating temperature	+10 – +40 °C
Relative humidity	40% – 80%

* Wi-Fi® is a registered trademark of Wi-Fi® Alliance.



Accessories

Antivibration tables
Professional Weighing Tables
RS 232, RS 485 cables

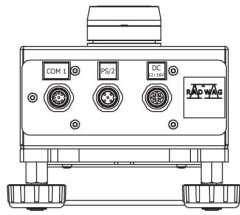
RS 232 – USB Converter
RS 232 cables (scale - printer)

Software

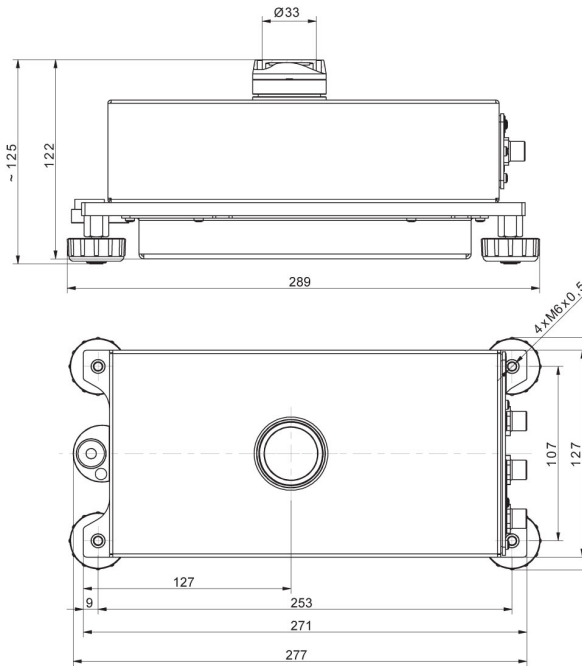
- RAD Key [WX-010-0005]
- RADWAG Development Studio [WX-010-0104]

- R Panel [WX-010-0187]

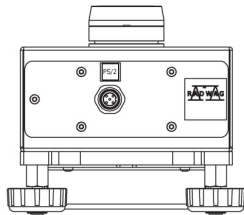
Device dimensions



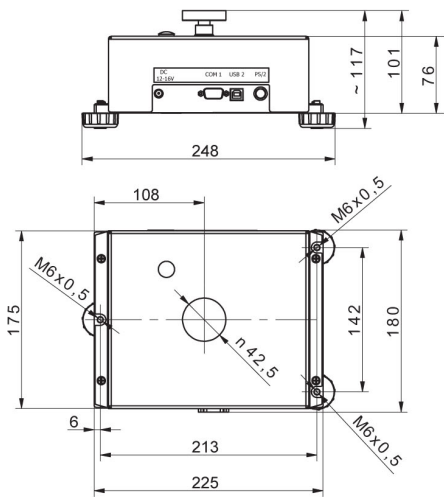
MAS.1
MAS.1.R



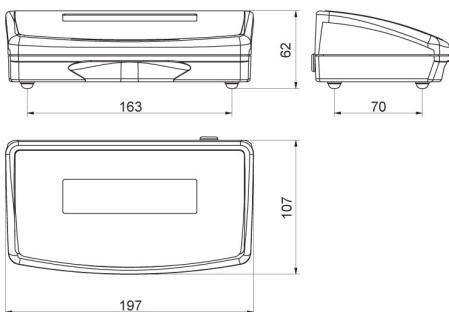
MAS.1



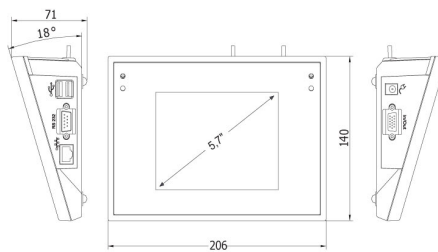
MAS.1.Y



MAS



R operator panel



Y operator panel