



More information on the website
mirror.radwag.com/tr/info,w1,SMM

Platformlar PL/4/6000/H10/Z

WX-009-0069



The drawings, photos and graphics used are for illustrative purposes only.

Teknik Veriler

Metrolojik parametreler	
Maksimum yük [Max]	6000 kg
Okuma için ruluęu [d]	2 kg
Konstrüksiyon	
IP Sınıfı	IP 66 / 69
Konstrüksiyon	Paslanmaz elik AISI304
Tartım kefesi	Paslanmaz elik AISI304
Fiziksel parametreler	
Tartım kefesi boyutları	1500x2000 mm
Tartım platformunun ykseklilięi	166 mm

Okuma doęruluęu - kullanılan lm transmitterinin parametrelerine baęlı olarak beklenen deęer.

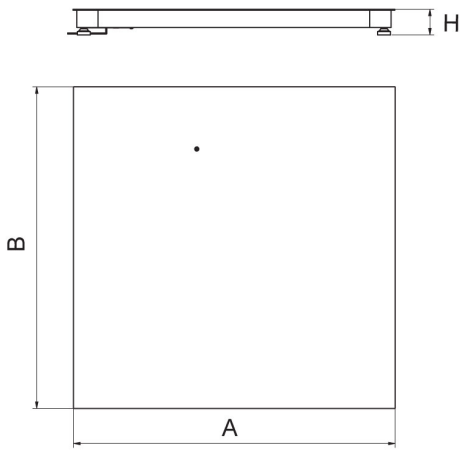


Aksesuarlar (Additional Fee)

PUE 5 tartım terminali
PUE 7.1 tartım terminali

PUE HX7 tartım terminali
PUE HY10 tartım terminali

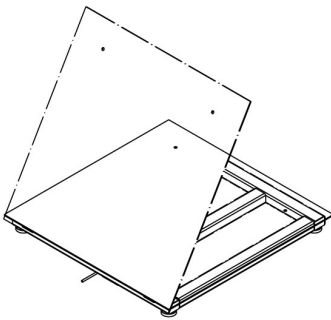
Cihaz boyutları



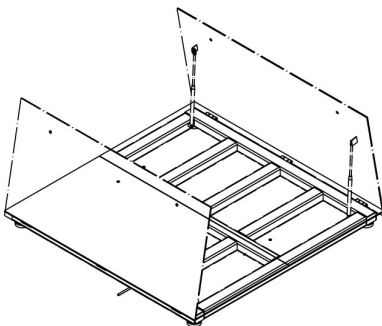
Platform	A	B	H
PLC/4/C6	800	800	120 ±10
PLC/4/C7	1000	1000	120 ±10
PLC/4/C8	1200	1200	120 ±10
PLC/4/C8/9	1200	1500	120 ±10
PLC/4/C9	1500	1500	120 ±10
PLC/4/C10	1500	2000	120 ±10
PLC/4/C11	2000	2000	120 ±10

dimensions in mm

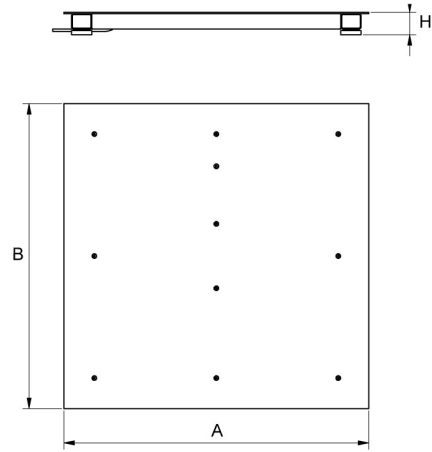
PLC/4/C



PL/4/H6/Z
 PL/4/H7/Z
PL/4/H8/Z



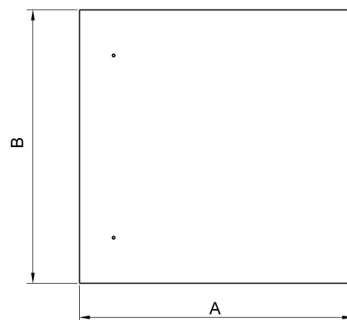
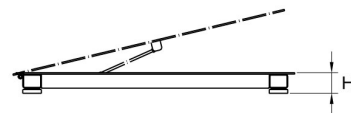
PL/4/H8/9/Z
 PL/4/H9/Z
PL/4/H10/Z



Platform	A	B	H
PL/4/H6	800	800	88 ±2
PL/4/H7	1000	1000	88 ±2
PL/4/H8	1200	1200	88 ±2
PL/4/H8/9	1200	1500	88 ±2
PL/4/H9	1500	1500	88 ±2
PL/4/H10	1500	2000	111 ±2

dimensions in mm

PL/4/H



Platform	A	B	H
PL/4/H6/Z	800	800	88 ±2
PL/4/H7/Z	1000	1000	88 ±2
PL/4/H8/Z	1200	1200	88 ±2
PL/4/H8/9/Z	1200	1500	88 ±2
PL/4/H9/Z	1500	1500	88 ±2
PL/4/H10/Z	1500	2000	111 ±2

dimensions in mm

PL/4/H/Z