



More information on the website
mirror.radwag.com/ja/info,w1,QT3

IM01.EX-5/2

WX-016-0175



The drawings, photos and graphics used are for illustrative purposes only.

特徴

寸法	
保護等級	IP 66 / 68 (1,5m)
防爆等級	Ex ib
ATEX等級	II (2)G [Ex ib] IIC Gb II (2)D [Ex ib] IIIC Db
通信規格	
通信機能	2×RS232, USB, 4IN / 4OUT, PROFINET, 電流 4-20 mA / 0-10 V
電源規格	
電圧	100 – 240 V AC 50/60 Hz
消費電力 max.	10 W
動作温度	
保存温度	-10 – +40 °C
湿度	-20 – +60 °C
相対湿度	10% – 85% RH

IM01.EX

IM01.EX

222×146×81 mm

IM01

1,9 kg

IM01

2,5 kg



IM01 (Additional Fee)

HX5.EX-1.4P2 H

HX5.EX-1 HR

RS 232

HX5.EX-1.4P2 C

HX5.EX-1.4N

HX5.EX-1.4 C 4

HX5.EX-1.4P H

HX5.EX-1.4 H/Z

HX5.EX-1 C 1

HX5.EX-1 H

PUE HX5.EX

HX5.EX-1.4 H

RS 232/RS 485

IN/OUT

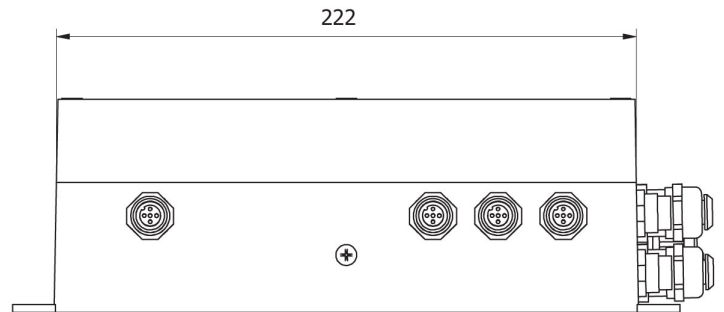
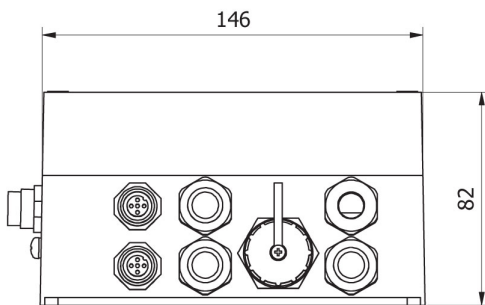
HX5.EX-1.4P C

USB

USB cable

RS 232 – USB

IM01



IM01.EX