



More information on the website  
[mirror.radwag.com/en/info,w1,OLC](http://mirror.radwag.com/en/info,w1,OLC)

# C32.1,5.D2 Multifunctional Scale

WP-120-0006



The drawings, photos and graphics used are for illustrative purposes only.

## Functions



Labelling



Plus/Minus Control



Percent Weighing



Totalizing



Parts counting



Newton unit measurement



Statistics



IR sensors



GLP Procedures



Replaceable unit



ALIBI Memory

## Datasheet

Metrological parameters	
Maximum capacity [Max]	1.5 kg
Minimum load	10 g
Readability [d]	0.5 g
Verification unit [e]	0.5 g
Tare range	-1.5 kg
Max readability for non-verified scale	0.05 g
OIML Class	III

Physical parameters	
Display	5" graphic colour
Cable length	1 m
Weighing pan dimensions	195×195 mm
Packaging dimensions W x D x H	530×310×150 mm
Net weight	3.4 kg
Gross weight	4.3 kg
Construction	
Protection class	IP 43
Housing	ABS plastic
Weighing pan material	Stainless steel AISI304
Communication interface	
Communication interface	2×RS232, USB-A, USB-B, Ethernet, 4 IN / 4 OUT (digital), Wi-Fi
Electrical parameters	
Power supply	100 – 240 V AC 50/60 Hz
Power consumption max.	10 W
Optional power supply	internal rechargeable battery
Operation time on batteries	operation time up to 5 h
Environmental conditions	
Operating temperature	-10 – +40 °C

\* Optional equipment at additional cost

\* Wi-Fi® is a registered trademark of Wi-Fi® Alliance.



Additional fee for verification



## Accessories (Additional Fee)

Displays  
 Power Adapters  
 RS 232 cables (scale - printer)  
 Cigarette lighter receptacle power supply cables  
 Barcode scanners  
 RS 232, RS 485 cables  
 Label Printers

Antivibration Tables  
 Keypad, external switches  
 Stands, wall mounting kits and mounting brackets  
 Additional modules  
 Receipt Printer  
 AP2-1 Current Loop Unit

## Software (Additional Fee)

- E2R Weighing [WX-010-0099]
- Label Editor R02 [WX-010-0094]
- R-Lab [WX-010-0080]
- RADWAG Development Studio [WX-010-0104]

- RAD Key [WX-010-0005]
- Alibi Reader [WX-010-0114]
- Scale Editor 2.1 [WX-010-0173]

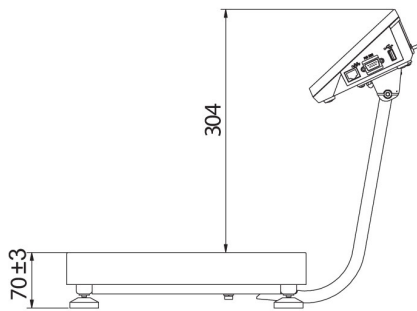
# Device dimensions W x D x H



C32.D2



C32.F1.R



C32.F1.M



C32.F1.K