



More information on the website  
[mirror.radwag.com/us/info,w1,ODT](http://mirror.radwag.com/us/info,w1,ODT)

# DJ-04 Antistatic ionizer

WX-001-0097



The drawings, photos and graphics used are for illustrative purposes only.

## Datasheet

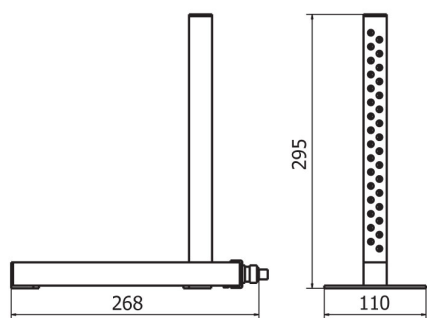
Electrical parameters	
Power supply	100 – 240 V AC 50/60 Hz
Environmental conditions	
Operating temperature	0 – +40 °C
Relative humidity	5% – 80%
Distance form a sample	Ok. 5 – 50 mm
Ion source	stainless steel
Physical parameters	
Frame dimensions	268×110×295 mm
Packaging dimensions W x D x H	375×375×130 mm
Net weight	1,3 kg
Gross weight	2,5 kg

## Compatible with (Additional Fee)

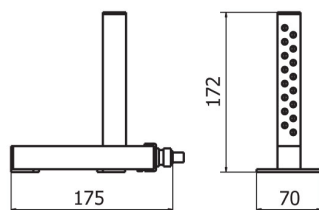
XA 5Y.M.A.P Microbalance for pipettes calibration  
AS X7 Analytical Balance  
XA 5Y.M.A Microbalance  
XA 5Y.A Analytical Balance  
AS 5Y Analytical Balance  
Analytical Balance for Filters XA 5Y.F

XA 5Y Analytical Balance  
AS R2 PLUS Analytical Balance  
XA 5Y.M Microbalance  
AS R1 PLUS Analytical Balance  
XA 5Y.M.A.S Microbalance for stents weighing

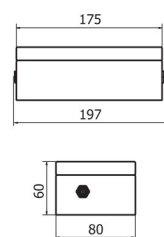
## Device dimensions W x D x H



DJ-04



DJ-05



power supply