



More information on the website
mirror.radwag.com/de/info,w1,09E

Wägeplattform PLC/4/1500/C7

WX-009-0024



The drawings, photos and graphics used are for illustrative purposes only.

Technische Daten

| Messtechnische Parameter | |
|--------------------------|--------------------------------------|
| Wägebereich [Max] | 1500 kg |
| Ablesbarkeit [d] | 500 g |
| Konstruktion | |
| Schutzart | IP 65 Konstruktion, IP 67 Tensometer |
| Konstruktion | pulverbeschichteter Stahl St3S |
| Waageschale | pulverbeschichteter Stahl St3S |
| Physikalische Parameter | |
| Waageschale | 1000×1000 mm |
| Höhe Wägeplattform | 120 ± 10 mm |

Ablesegenauigkeit – Erwartungswert, abhängig von den Parametern des verwendeten Messumformers.



Zubehör (Additional Fee)

Waagen CY10 für FPVO
Wägeterminal PUE CY10
Multifunktionswaage CY10
Wägeterminal PUE 5
Präzisionswaage CY10
Wägeterminal PUE HX7

Wägeterminal PUE C32
Wägeterminal PUE 7.1
Wägeterminal PUE C315
Wägeterminal PUE HY10
Wägeterminal PUE H315
Waagen Fundament-Einbaurahmen

Abmessungen des Geräts B x T x H



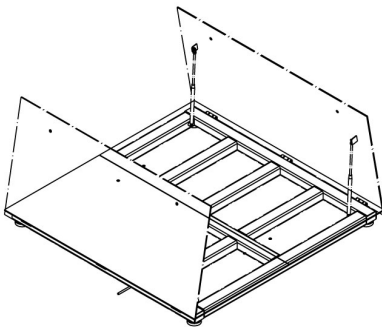
| Platform | A | B | H |
|------------|------|------|---------|
| PLC/4/C6 | 800 | 800 | 120 ±10 |
| PLC/4/C7 | 1000 | 1000 | 120 ±10 |
| PLC/4/C8 | 1200 | 1200 | 120 ±10 |
| PLC/4/C8/9 | 1200 | 1500 | 120 ±10 |
| PLC/4/C9 | 1500 | 1500 | 120 ±10 |
| PLC/4/C10 | 1500 | 2000 | 120 ±10 |
| PLC/4/C11 | 2000 | 2000 | 120 ±10 |

dimensions in mm

PLC/4/C



PL/4/H6/Z
PL/4/H7/Z
PL/4/H8/Z



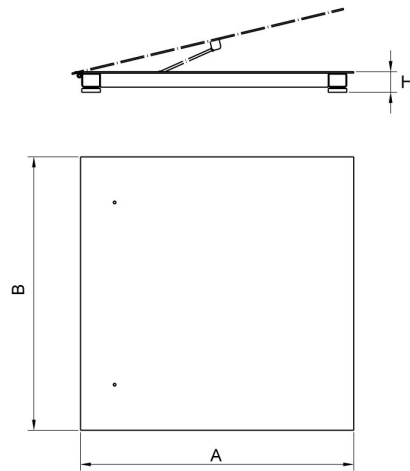
PL/4/H8/9/Z
PL/4/H9/Z
PL/4/H10/Z



| Platform | A | B | H |
|-----------|------|------|--------|
| PL/4/H6 | 800 | 800 | 88 ±2 |
| PL/4/H7 | 1000 | 1000 | 88 ±2 |
| PL/4/H8 | 1200 | 1200 | 88 ±2 |
| PL/4/H8/9 | 1200 | 1500 | 88 ±2 |
| PL/4/H9 | 1500 | 1500 | 88 ±2 |
| PL/4/H10 | 1500 | 2000 | 111 ±2 |

dimensions in mm

PL/4/H



| Platform | A | B | H |
|-------------|------|------|--------|
| PL/4/H6/Z | 800 | 800 | 88 ±2 |
| PL/4/H7/Z | 1000 | 1000 | 88 ±2 |
| PL/4/H8/Z | 1200 | 1200 | 88 ±2 |
| PL/4/H8/9/Z | 1200 | 1500 | 88 ±2 |
| PL/4/H9/Z | 1500 | 1500 | 88 ±2 |
| PL/4/H10/Z | 1500 | 2000 | 111 ±2 |

dimensions in mm

PL/4/H/Z