



More information on the website  
[mirror.radwag.com/us/info,w1,NYV](http://mirror.radwag.com/us/info,w1,NYV)

# MWLH 25 Electromagnetic Compensation Weighing Module

WX-016-0109



The drawings, photos and graphics used are for illustrative purposes only.

## Datasheet

### Metrological parameters

Maximum capacity [Max]	25 kg
Minimum load	5 g
Preload range	2,5 kg
Readability [d]	0,1 g
Tare range	-25 kg
Repeatability	0,1 g
Linearity	±0,1 g
Stabilization time	2 s
Adjustment	external

### Construction

Protection class	IP 65
------------------	-------

### Electrical parameters

Power supply	100 – 240 V AC 50/60 Hz
--------------	-------------------------

### Environmental conditions

Operating temperature +10 – +40 °C

Relative humidity 15% – 80%

### Physical parameters

Weighing pan dimensions 212×174 mm

Device dimensions W x D x H 341×236×164 mm

Packaging dimensions W x D x H 580×413×360 mm



## Accessories (Additional Fee)

Ethernet cables (scale - Ethernet)  
RS 232, RS 485 cables  
IN/OUT Cables

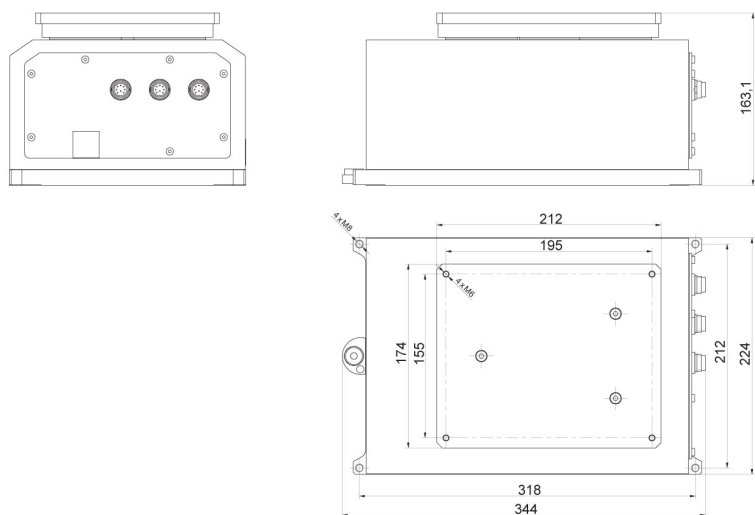
Powerbanks  
RS 232 – USB Converter

## Software (Additional Fee)

• MWMH Manager [WX-010-0103]  
• Scale Editor - EWAG 2.1 [WX-010-0173]

• RAD Key [WX-010-0005]  
• RADWAG Development Studio [WX-010-0104]

## Device dimensions W x D x H



MWLH