



More information on the website
mirror.radwag.com/en/info,w1,NYV

MWLH 25 Electromagnetic Compensation Weighing Module

WX-016-0109



The drawings, photos and graphics used are for illustrative purposes only.

Datasheet

Metrological parameters

Maximum capacity [Max]	25 kg
Minimum load	5 g
Preload range	2.5 kg
Readability [d]	0.1 g
Tare range	-25 kg
Repeatability	0.1 g
Linearity	±0.1 g
Stabilization time	2 s
Adjustment	external

Construction

Protection class	IP 65
------------------	-------

Electrical parameters

Power supply	100 – 240 V AC 50/60 Hz
--------------	-------------------------

Environmental conditions

Operating temperature +10 – +40 °C

Relative humidity 15% – 80%

Physical parameters

Weighing pan dimensions 212×174 mm

Device dimensions W x D x H 341×236×164 mm

Packaging dimensions W x D x H 580×413×360 mm



Accessories (Additional Fee)

Ethernet cables (scale - Ethernet)
RS 232, RS 485 cables
IN/OUT Cables

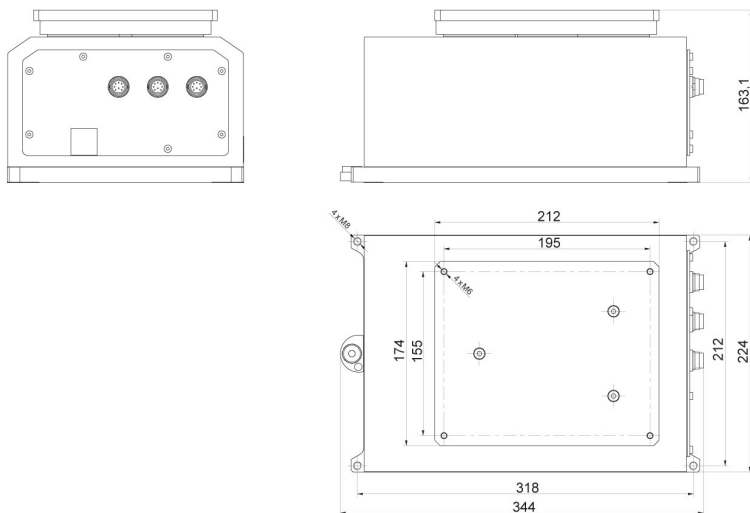
Powerbanks
RS 232 – USB Converter

Software (Additional Fee)

- MWMH Manager [WX-010-0103]
- R-Lab [WX-010-0080]
- RADWAG Development Studio [WX-010-0104]

- RAD Key [WX-010-0005]
- Scale Editor 2.1 [WX-010-0173]

Device dimensions W x D x H



MWLH