



# PS 200/2000.R2 Precision Balance

WL-212-1003

More information on the website  
[mirror.radwag.com/en/info,w1,NTZ](http://mirror.radwag.com/en/info,w1,NTZ)



The drawings, photos and graphics used are for illustrative purposes only.

## Functions

-  Autotest
-  Dosing
-  Percent Weighing
-  Totalizing
-  Parts counting
-  Peak hold
-  Newton unit measurement
-  Statistics
-  Checkweighing
-  Under-pan weighing
-  GLP Procedures
-  Animal weighing
-  Density determination

## Datasheet

Metrological parameters	
Maximum capacity [Max]	200 / 2000 g
Minimum load	20 mg
Readability [d]	1 / 10 mg
Verification unit [e]	10 / 100 mg
Tare range	-2000 g
Minimum weight (USP)	1 g

Metrological parameters	
Minimum weight (U=1%, k=2)	0.1 g
Standard repeatability [Max]	1 / 10 mg
Standard repeatability [5% Max]	0.5 / 5 mg
Linearity	±2 / 20 mg
Stabilization time	2 / 1.5 s
Adjustment	internal (automatic)
OIML Class	II
Sensitivity temperature drift	$2 \times 10^{-6} / ^\circ\text{C} \times \text{Rt}$
Physical parameters	
Leveling system	manual
Display	5.3" LCD (backlit)
Delivery components	Balance, weighing pan, weighing pan shield, grounding bumper x1, bumper x3, power supply.
Weighing pan dimensions	128x128 mm
Packaging dimensions W x D x H	475x380x345 mm
Net weight	4.7 kg
Gross weight	6 kg
Construction	
Protection class	IP 43
Communication interface	
Communication interface	2xRS232 <sup>1</sup> , USB-A, USB-B, Wi-Fi (option)
Electrical parameters	
Power supply	Adapter: 100 – 240V AC 50/60Hz 0.6A Max; 12V DC 1.2A Balance: 12 – 15V DC 0.7A max; 3 – 5.5W*
Power consumption	4 W
Environmental conditions	
Operating temperature	+10 – +40 °C
Relative humidity	40% – 80%

**Repeatability** is expressed as a standard deviation from 10 weighing cycles.

**Stabilization time** depends on the ambient conditions and the dynamics of weighing pan loading; specified for FAST profile.

\* Power consumption depends on the terminal configuration as well as the number and type of external devices connected.

<sup>1</sup> Barcode scanners, available as weighing instrument accessory, communicate with the instrument via RS232 interface exclusively.

\* Wi-Fi® is a registered trademark of Wi-Fi® Alliance.



Additional fee for verification



## Accessories (Additional Fee)

Balance Storage Case  
Antivibration Tables  
Power Adapters  
Cigarette lighter receptacle power supply cables  
USB cable (scale - printer)  
Density determination KIT

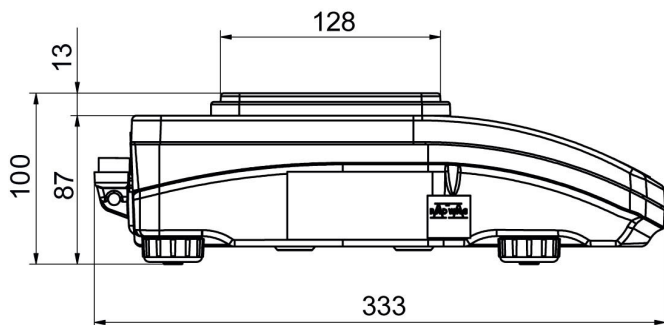
Anti-Draft Chamber for Balances with a 128x128 mm Weighing Pan  
RS 232, RS 485 cables  
Displays  
Receipt Printer  
Protective cover for balances  
Under-pan weighing

## Software (Additional Fee)

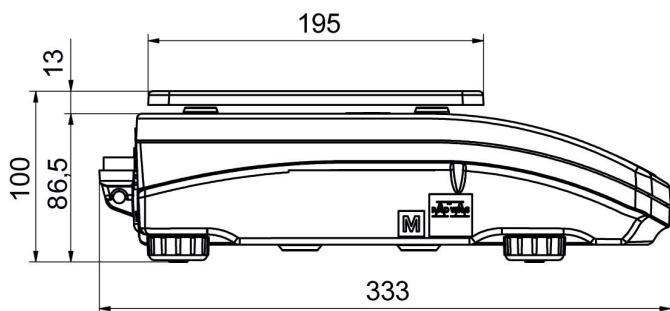
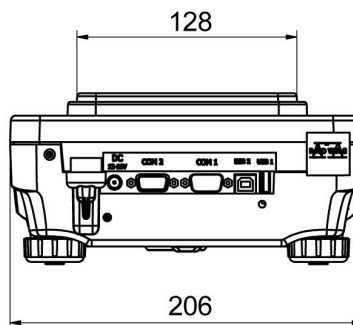
- RAD Key [WX-010-0005]
- Alibi Reader [WX-010-0114]
- RADWAG Development Studio [WX-010-0104]

- R-Panel [WX-010-0187]
- R-Lab [WX-010-0080]

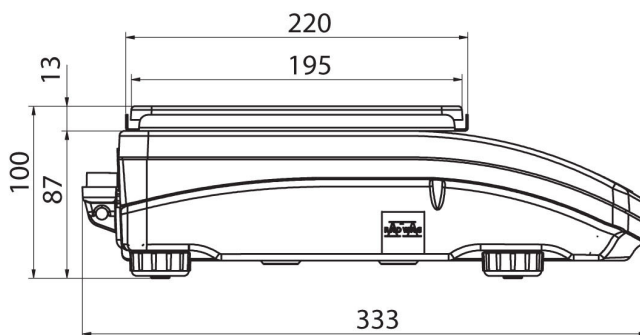
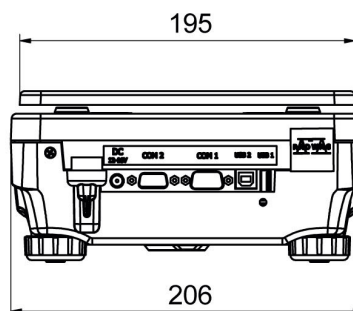
## Device dimensions W x D x H



PS R, d = 1mg



PS R, d = 10 mg



PS R.M, d = 10 mg

