



More information on the website  
[mirror.radwag.com/en/info,w1,N7Z](http://mirror.radwag.com/en/info,w1,N7Z)

# AS 520.R2 PLUS Analytical Balance

WL-104-0186



The drawings, photos and graphics used are for illustrative purposes only.

## Functions



Autotest



Dosing



Percent Weighing



Totalizing



Parts counting



Peak hold



Newton unit measurement



Statistics



Checkweighing



Under-pan weighing



GLP Procedures



Animal weighing



Density determination

## Datasheet

Metrological parameters	
Maximum capacity [Max]	520 g
Minimum load	-
Readability [d]	0.1 mg
Verification unit [e]	-
Tare range	-520 g
Minimum weight (USP)	160 mg

<b>Metrological parameters</b>	
Minimum weight (U=1%, k=2)	16 mg
Standard repeatability [Max]	0.25 mg
Standard repeatability [5% Max]	0.08 mg
Permissible repeatability [Max]	0.4 mg
Permissible repeatability [5% Max]	0.12 mg
Linearity	±0.6 mg
Stabilization time	2.5 s
Adjustment	internal (automatic)
OIML Class	-
<b>Physical parameters</b>	
Leveling system	manual
Display	5.3" LCD (backlit)
Weighing chamber doors	manual
Delivery components	Balance, weighing pan, weighing pan shield, bottom cover, power supply.
Weighing pan dimensions	ø100 mm
Packaging dimensions W x D x H	490×400×520 mm
Net weight	7.3 kg
Gross weight	8.5 kg
<b>Construction</b>	
Protection class	IP 43
<b>Communication interface</b>	
Communication interface	2×RS232 <sup>1</sup> , 2×USB-A (interchangeable), USB-B, Wi-Fi (option)
<b>Electrical parameters</b>	
Power consumption max.	3 W
<b>Environmental conditions</b>	
Operating temperature	+10 – +40 °C
Relative humidity	40% – 80%

**Repeatability** is expressed as a standard deviation from 10 weighing cycles.

**Stabilization time** depends on the ambient conditions and the dynamics of weighing pan loading; specified for FAST profile.

\* Power consumption depends on the terminal configuration as well as the number and type of external devices connected.

<sup>1</sup> Barcode scanners, available as weighing instrument accessory, communicate with the instrument via RS232 interface exclusively.

\* Wi-Fi® is a registered trademark of Wi-Fi® Alliance.



## Accessories (Additional Fee)

Antivibration Tables  
 Holders for laboratory flasks  
 Power Adapters  
 Cigarette lighter receptacle power supply cables

Balance Storage Case  
 RS 232, RS 485 cables  
 Displays  
 Protective cover for balances

Density determination KIT  
USB cable (scale - printer)  
Professional Weighing Tables  
Barcode scanners  
Holders for test tubes and filters  
Workstation for Pipettes Calibration

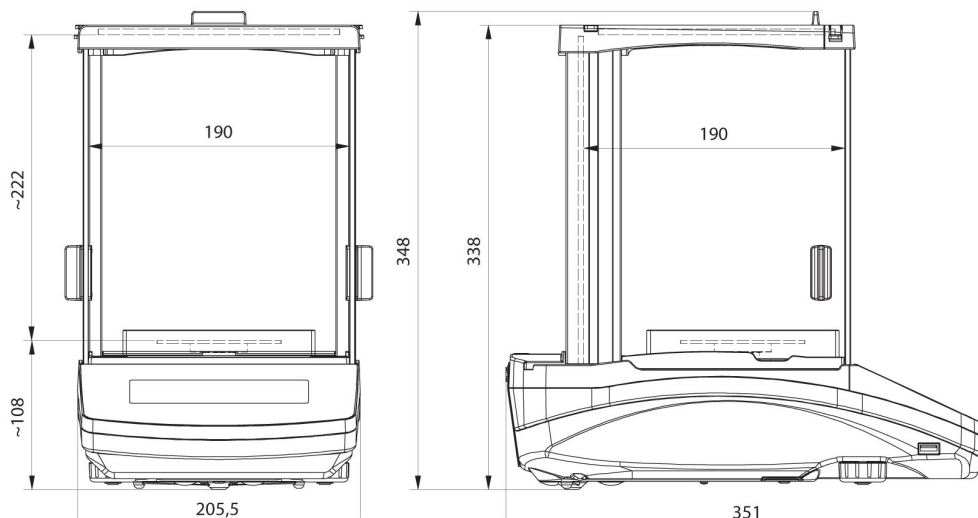
Weighing dishes  
Antistatic ionizer  
Receipt Printer  
Under-pan weighing  
RS 232 cables (scale - printer)

## Software (Additional Fee)

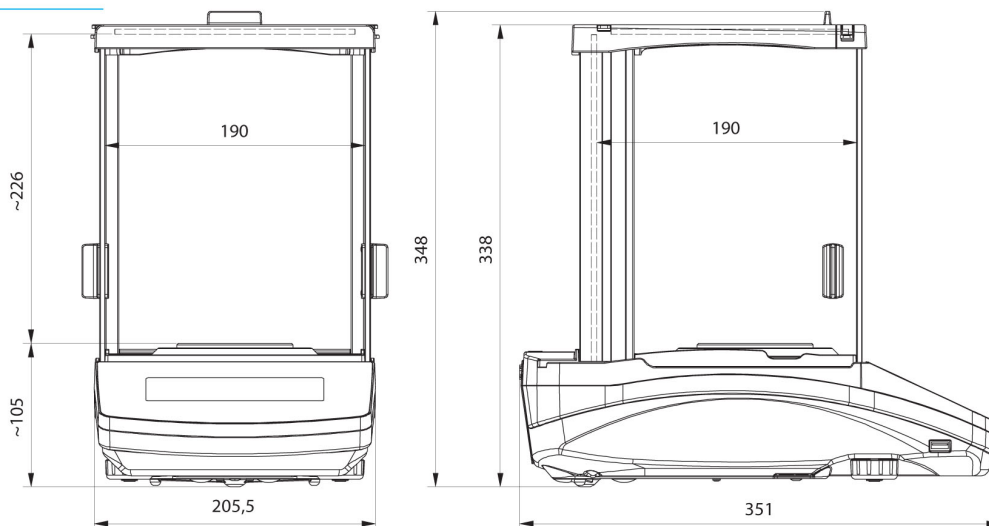
- RAD Key [WX-010-0005]
- Alibi Reader [WX-010-0114]
- RADWAG Development Studio [WX-010-0104]

- R-Panel [WX-010-0187]
- R-Lab [WX-010-0080]

## Device dimensions W x D x H



AS R2, d = 0.01 mg



AS R2, AS R1 d = 0.1 mg