



More information on the website
mirror.radwag.com/us/info,w1,LRO

KIT 195.M Density Determination Kit

WX-002-0115



The drawings, photos and graphics used are for illustrative purposes only.

Overview

Density determination kit is intended for PS M high capacity precision balances based on RADWAG MonoBLOCK technology equipped with 195×195 mm weighing pan. This stainless steel kit is applicable for determining density of: - solids; - liquids.

Compatible with (Additional Fee)

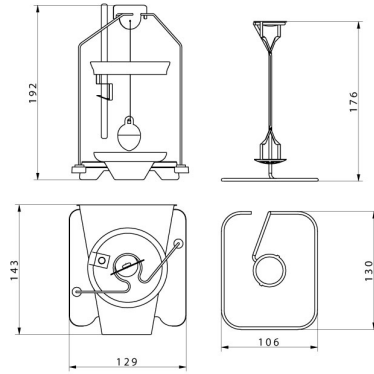
PS X7 Balances for PGC
PS R2 Precision Balance
PS 5Y Precision Balance

PS 5Y Balances for PGC
PS R1 Precision Balance
PS X7 Precision Balance

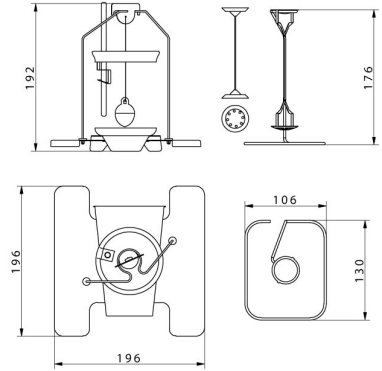
Device dimensions W x D x H



KIT 85



KIT 128



KIT 195



KIT 195.M



Granulte density
determination KIT