



More information on the website
mirror.radwag.com/tr/info,w1,LRO

KIT 195.M Yoğunluk Tespit Kiti

WX-002-0115



The drawings, photos and graphics used are for illustrative purposes only.

Genel Açıklama

KIT 195.M is a density determination kit intended for PS M precision balances of high capacity, operating on the basis of RADWAG MonoBLOCK® technology, and featuring 195x195 weighing pan.

This stainless steel accessory allows determining density of:

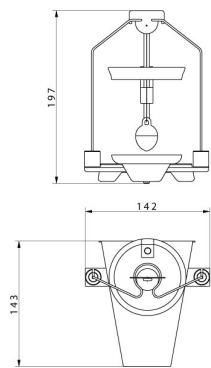
solids, liquids.

İle uyumlu (Additional Fee)

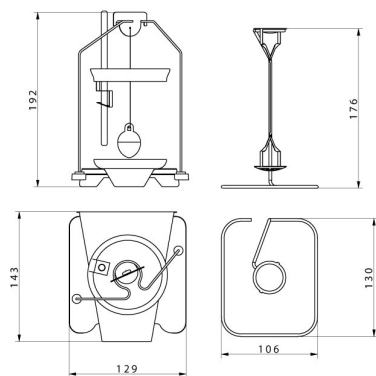
PUK için PS X7 terazileri
PS R2 Hassas Teraziler
PS X7 Hassas Teraziler

PUK için PS 5Y terazileri
PS R1 Hassas Teraziler
PS 5Y Hassas Teraziler

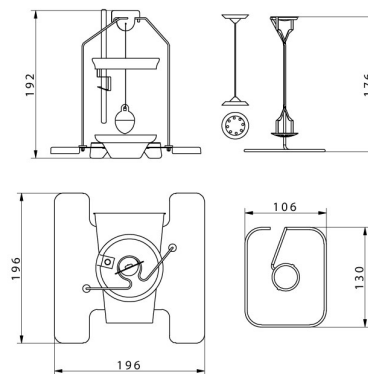
Cihaz boyutları G x D x Y



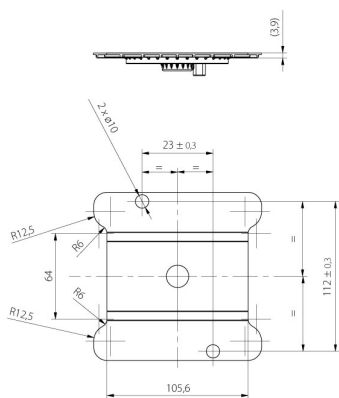
KIT 85



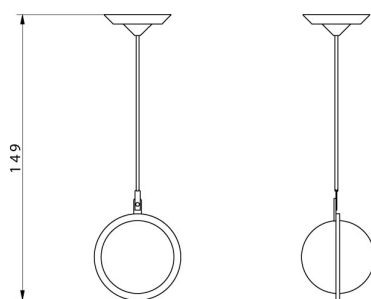
KIT 128



KIT 195



KIT 195.M



Granulte density
determination KIT