



More information on the website
mirror.radwag.com/en/info,w1,LRO

KIT 195.M Density Determination Kit

WX-002-0115



The drawings, photos and graphics used are for illustrative purposes only.

Overview

KIT 195.M is a density determination kit intended for PS M precision balances of high capacity, operating on the basis of RADWAG MonoBLOCK® technology, and featuring 195x195 weighing pan.

This stainless steel accessory allows determining density of:

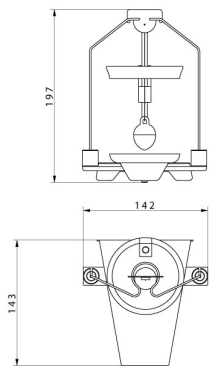
solids, liquids.

Compatible with (Additional Fee)

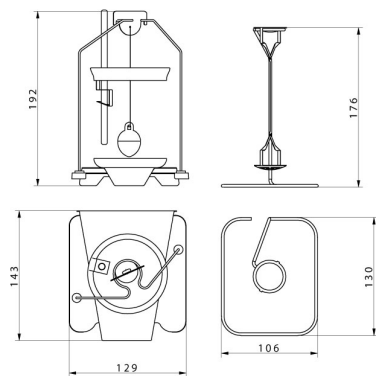
PS X2 Precision Balance
PS X7 Balances for PGC
PS R2 Precision Balance
PS X2 Balances for PGC

PS X7 Precision Balance
PS 5Y Balances for PGC
PS R1 Precision Balance
PS 5Y Precision Balance

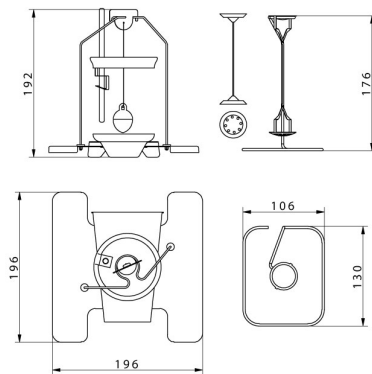
Device dimensions



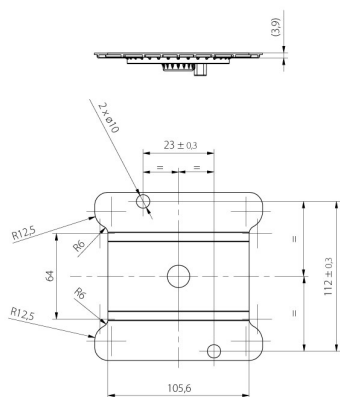
KIT 85



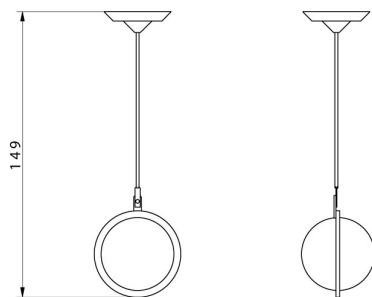
KIT 128



KIT 195



KIT 195.M



Granule density
determination KIT