



More information on the website  
[mirror.radwag.com/us/info,w1,L5I](http://mirror.radwag.com/us/info,w1,L5I)

# KR-04-1 Converter

WX-004-0080



The drawings, photos and graphics used are for illustrative purposes only.

## Datasheet

### Physical parameters

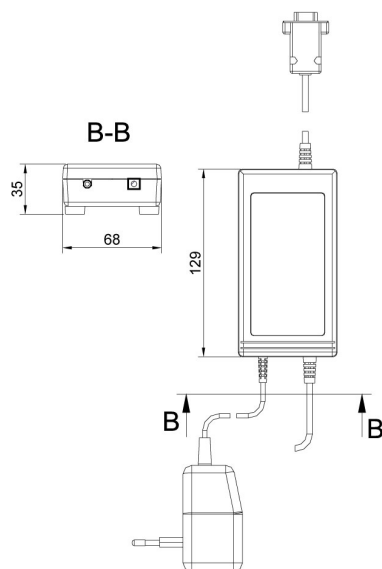
Packaging dimensions W x D x H	220×190×90 mm
Net weight	0,4 kg
Gross weight	0,8 kg

## Compatible with (Additional Fee)

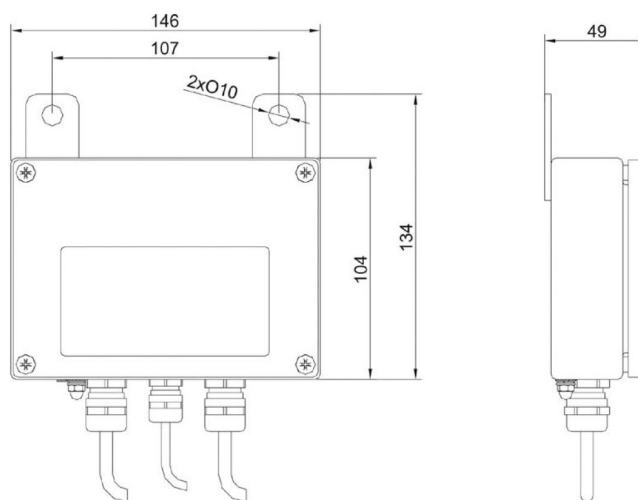
C315 Platform scale  
 C315.D Baby scale  
 WLC Precision Balance  
 C315.4P2 Beam Scales  
 C315.4 Platform Scale  
 C315.O Personal scale  
 C315.4P pallet scales  
 H315 4C Platform Scale

C315.OW Personal scale  
 WLC C/2 Precision balance  
 Postal scales for packages  
 PUE C315 Terminal  
 C315.4B Bed scale  
 C315.K Chair scale  
 C315.8B Ramps bed scale

## Device dimensions W x D x H



KR-01, KR-04 converter



KR-04-2, KR-04-3 converter