

More information on the website  
[mirror.radwag.com/en/info,w1,KTT](http://mirror.radwag.com/en/info,w1,KTT)

# PLC/4/3000/C10 Platform



The drawings, photos and graphics used are for illustrative purposes only.

## Datasheet

Metrological parameters	
Maximum capacity [Max]	3000 kg
Readability [d]	1 kg
Construction	
Protection class	IP 65
Construction	mild steel St3S
Weighing pan material	mild steel St3S
Physical parameters	
Weighing pan dimensions	1500×2000 mm
Weighing platform height	120 ± 10 mm

**Readability accuracy** – expected value, dependent on the parameters of the measuring transmitter used.

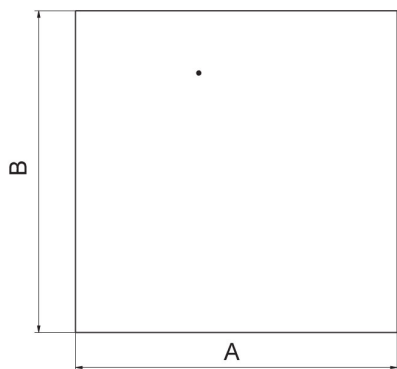
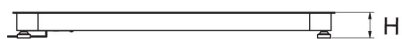


## Accessories

PUE CY10 Weighing Terminal  
CY10 Multifunctional Scale  
PUE 5 Weighing Terminal  
CY10 Precision Balance  
PUE C32 Weighing Terminal  
PUE 7.1 Weighing Terminal

PUE HX7 Weighing Terminal  
PUE C315 Weighing Terminal  
PUE HY10 Weighing Terminal  
PUE H315 Weighing Terminal  
Frame for embedded scales

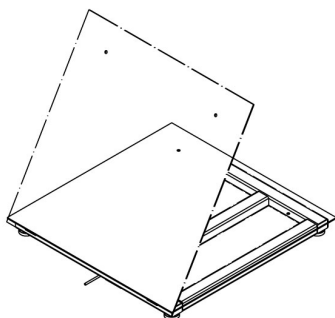
## Device dimensions



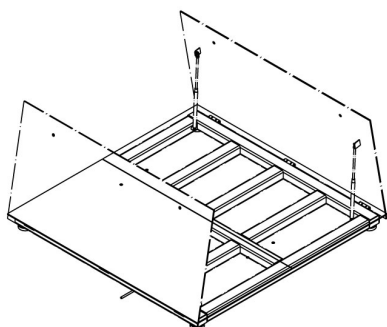
Platform	A	B	H
PLC/4/C6	800	800	120 ±10
PLC/4/C7	1000	1000	120 ±10
PLC/4/C8	1200	1200	120 ±10
PLC/4/C8/9	1200	1500	120 ±10
PLC/4/C9	1500	1500	120 ±10
PLC/4/C10	1500	2000	120 ±10
PLC/4/C11	2000	2000	120 ±10

dimensions in mm

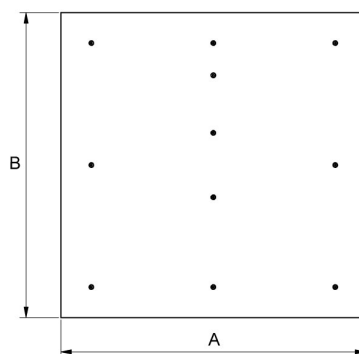
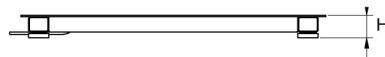
PLC/4/C



PL/4/H6/Z  
 PL/4/H7/Z  
 PL/4/H8/Z



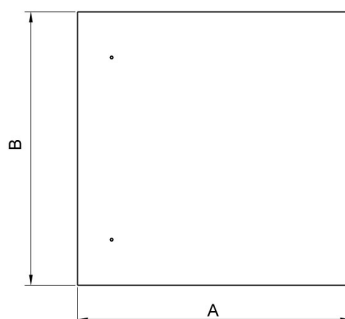
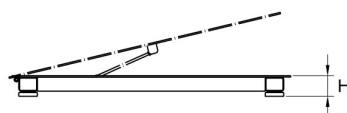
PL/4/H8/9/Z  
 PL/4/H9/Z  
 PL/4/H10/Z



Platform	A	B	H
PL/4/H6	800	800	88 ±2
PL/4/H7	1000	1000	88 ±2
PL/4/H8	1200	1200	88 ±2
PL/4/H8/9	1200	1500	88 ±2
PL/4/H9	1500	1500	88 ±2
PL/4/H10	1500	2000	111 ±2

dimensions in mm

PL/4/H



Platform	A	B	H
PL/4/H6/Z	800	800	88 ±2
PL/4/H7/Z	1000	1000	88 ±2
PL/4/H8/Z	1200	1200	88 ±2
PL/4/H8/9/Z	1200	1500	88 ±2
PL/4/H9/Z	1500	1500	88 ±2
PL/4/H10/Z	1500	2000	111 ±2

dimensions in mm

PL/4/H/Z