



More information on the website
mirror.radwag.com/us/info,w1,KET

KR-04-2 Converter

WX-004-0081



The drawings, photos and graphics used are for illustrative purposes only.

Overview

Converter is designed for scales that are not equipped with Ethernet interface. Converter KR allows for operation of a scale in weighing systems and in LAN network. It is designed for cooperation with measuring indicator PUE C31/H. KR-04-2 is manufactured in stainless steel housing, it is equipped with RS 232 cable with hermetic plug, Ethernet cable with gland and RJ45 plug, powered from mains 230V AC.

Actual software version Network Enabler Administrator: 2.11

Compatible with (Additional Fee)

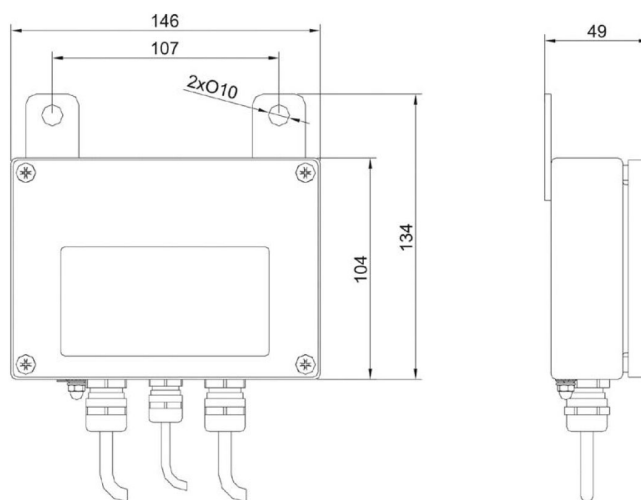
H315 HR Waterproof Platform Scale
 H315 4H Stainless Steel Platform Scale
 H315 4P2.H Stainless steel Beam Scales
 H315 H Waterproof Platform Scale
 H315.4 H/Z Stainless Steel Platform Scales, pit version

H315 4N.H Stainless Steel Ramp Scale
 H315 4N.H.LD Stainless Steel Ramp Scale
 H315 2K Overhead Track Scales
 H315 4P.H Stainless Steel Pallet Scales
 H315 2K Stainless steel overhead track scales

Device dimensions W x D x H



KR-01, KR-04 converter



KR-04-2, KR-04-3 converter