



More information on the website
mirror.radwag.com/en/info,w1,JSQ

WLC 2/A2/C/2/IO Precision Balance

WL-217-0041



The drawings, photos and graphics used are for illustrative purposes only.


Functions

 Plus/Minus Control

 Percent Weighing


 Totalizing

 Parts counting

 Internal battery

 Peak hold

 Newton unit measurement

 Under-pan weighing

Datasheet

Metrological parameters

| | |
|------------------------|----------------------|
| Maximum capacity [Max] | 2 kg |
| Readability [d] | 0.01 g |
| Verification unit [e] | - |
| Tare range | -2 kg |
| Repeatability | 0.015 g |
| Linearity | ±0.03 g |
| Stabilization time | 3 s |
| Adjustment | internal (automatic) |

| Physical parameters | |
|--------------------------------|--|
| Leveling system | manual |
| Display | 4.3" LCD (backlit) |
| Weighing pan dimensions | 195×195 mm |
| Packaging dimensions W x D x H | 430×270×190 mm |
| Net weight | 3.6 kg |
| Gross weight | 5 kg |
| Construction | |
| Protection class | IP 43 |
| Communication interface | |
| Communication interface | 2×RS232, USB-A, USB-B, 4 IN / 4 OUT |
| Electrical parameters | |
| Power supply | Adapter: 100 – 240V AC 50/60Hz 0.6A; 12V DC 1.2A Balance: 10 – 15VDC 0.6A max |
| Operation time on batteries | 15 h (average time) |
| Environmental conditions | |
| Operating temperature | +15 – +30 °C |
| Relative humidity | 10% – 85% RH no condensation |

Repeatability is expressed as a standard deviation from 10 weighing cycles.

Stabilization time depends on the ambient conditions and the dynamics of weighing pan loading; specified for FAST profile.



Accessories (Additional Fee)

Balance Storage Case
 Antivibration Tables
 Power Adapters
 RS 232 cables (scale - printer)
 Cigarette lighter receptacle power supply cables
 Under-pan weighing
 RS 232, RS 485 cables

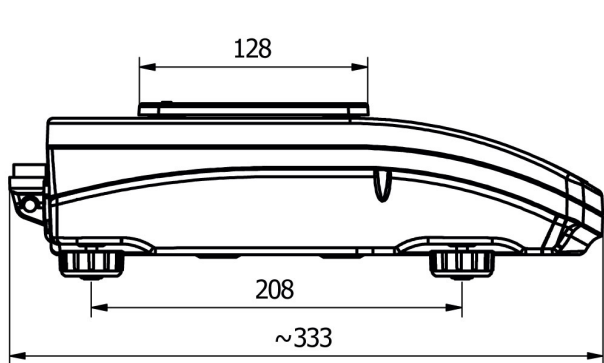
Density determination KIT
 RS 232 – Ethernet Converter
 Displays
 Receipt Printer
 Protective cover for balances
 RS 232 – RS 485 Converter

Software (Additional Fee)

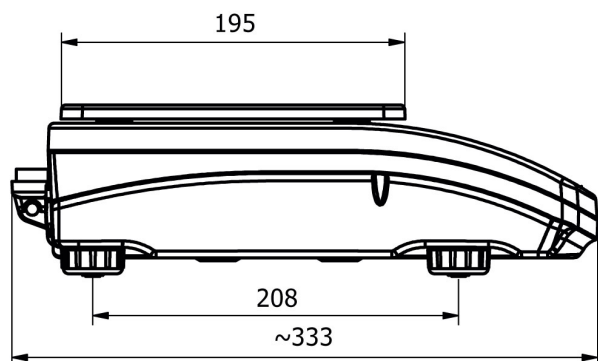
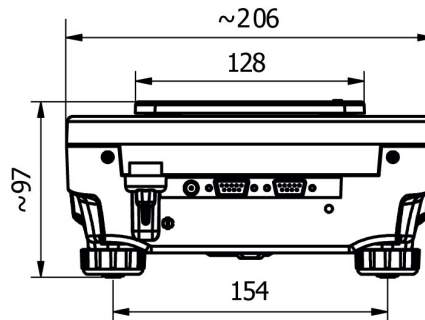
- RAD Key [WX-010-0005]
- R-Lab [WX-010-0080]

- Alibi Reader [WX-010-0114]
- Scale Editor 2.1 [WX-010-0173]

Device dimensions W x D x H



WLC A1



WLC A2

