



More information on the website  
[mirror.radwag.com/us/info,w1,JDL](https://mirror.radwag.com/us/info,w1,JDL)

## SAL/STONE/C Antivibration Table



The drawings, photos and graphics used are for illustrative purposes only.

### Datasheet

Construction	
Construction	mild steel St3S
Load-bearing capacity	150 kg
Physical parameters	
Packaging dimensions	1200×800×970 mm
Net weight	215 kg
Gross weight	242 kg
Length	1000 mm
Width	650 mm
Height	815 mm

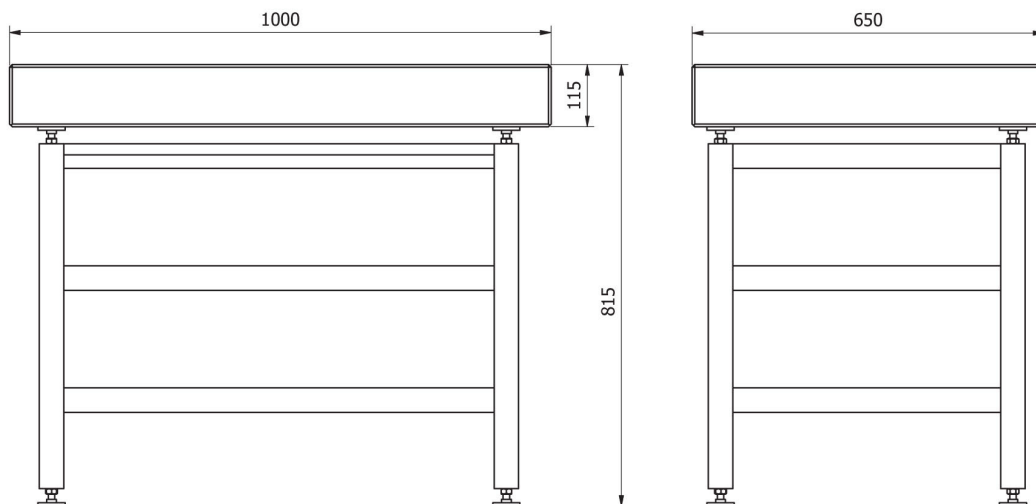


### Compatible with

H315 HR Waterproof Platform Scale  
 MA X7.IC.A Moisture Analyzer  
 MUYA Modules  
 MAS1 Modules  
 XA 5Y.M.A.P Microbalance for pipettes calibration  
 WPY Multifunctional Scale  
 MYA 5Y.P Microbalance for pipettes calibration  
 MA 5Y Moisture Analyzer  
 Tunnel detectors  
 C315 Platform scale  
 5Y.PM Precision balance  
 MYA 5Y.F Microbalance for Filters  
 MA X2.IC.A Moisture Analyzers  
 AS X7 Analytical Balance  
 PS X2 Precision Balance  
 AS X2 PLUS Analytical Balances  
 PS X7 Balances for PGC  
 XA 5Y.M.A Microbalance  
 WLC Precision Balance  
 PS R2 Precision Balance  
 WLC X7 Precision balance  
 PS X2 Balances for PGC  
 H315 H Waterproof Platform Scale  
 MA X2.A Moisture Analyzers  
 MAS Modules  
 MPS Modules  
 Susceptometer - Magnetization  
 C32.PM Precision Balance  
 Automatic Balances for. Pipettes Calibration  
 MA X7.A Moisture Analyzer

PS X7 Precision Balance  
 XA 5Y.A Analytical Balance  
 WAY 5Y.KO Manual Mass Comparator  
 UYA 5Y Ultra-Microbalance  
 MA 5Y.IC Moisture Analyzer  
 MA R Moisture Analyzer  
 AS 5Y Analytical Balance  
 AK-4 Automatic Mass Comparator  
 PS 5Y Balances for PGC  
 PS R2.H Precision Balance  
 WTC Precision Balance  
 Analytical Balance for Filters XA 5Y.F  
 WLY Precision Balance  
 UMA Automatic Mass Comparator  
 Density measurement  
 WLC C/2 Precision balance  
 MYA 5Y Microbalance  
 PS R1 Precision Balance  
 XA 5Y Analytical Balance  
 AS R2 PLUS Analytical Balance  
 PS 5Y Precision Balance  
 PMV 5Y Moisture Analyzer  
 XA 5Y.KO Manual Mass Comparator  
 XA 5Y.M Microbalance  
 UYA 5Y.KO Manual Mass Comparator  
 AS R1 PLUS Analytical Balance  
 UYA 5Y.F Ultra-Microbalance for Filters  
 APP 5Y.KO Manual Mass Comparator  
 Nano-Comparator NANO.AK-4.500.5Y  
 XA 5Y.M.A.S Microbalance for stents weighing

## Device dimensions



SAL/STONE