



UMA 100.5Y Automatic Mass Comparator

WL-415-0005

More information on the website
mirror.radwag.com/en/info,w1,lXE



The drawings, photos and graphics used are for illustrative purposes only.

Datasheet

Metrological parameters	
E0 Calibration Range	1 – 100 g * g
E1 Calibration Range	1 – 100 g
E2 Calibration Range	1 – 100 g
F1 Calibration Range	1 – 100 g
F2 Calibration Range	1 – 100 g
M1 Calibration Range	1 – 100 g
M2 Calibration Range	1 – 100 g
Maximum capacity [Max]	110 g
Readability [d]	0.001 mg
Standard repeatability [Max]	2 µg
Standard repeatability [5% Max]	1.5 µg
Permissible repeatability	3.5 µg
Linearity	±10 µg
Eccentricity (tested load)	0 mg
Electric compensation range	-1 g – +10 g

Metrological parameters	
Stabilization time	30 s
Adjustment	internal (automatic)
Physical parameters	
Display	10" graphic colour touchscreen
Weighing pan dimensions	ø21 mm
Weighing device dimensions	700×585×720 mm
Controlling device dimensions	460×250×195 mm
Packaging dimensions W x D x H	1200×1000×1566 mm
Net weight	114.3 kg
Gross weight	204.3 kg
Construction	
Supplementary weights	internal (automatic)
Supplementary weights external	-
Magazine	36
Communication interface	
Communication interface	2×USB-A, USB-C, RS 232 (COM3), HDMI, Ethernet, Wi-Fi, Hotspot
Electrical parameters	
Power supply	100 – 240 V AC 50/60 Hz
Environmental conditions	
Operating temperature	+15 – +30 °C
Operating temperature change rate	±0.5 °C / 12 h (±0.3 °C / 4 h)
Relative humidity	40% – 60%
Relative humidity change rate	±5% / 12 h (3% / 4 h)

Repeatability is expressed as a standard deviation determined for 6 ABBA cycles. Standard deviation is experimentally determined under ambient conditions for calibration of E1 class mass standards specified in OIML R111 (Table C.1.) document.
E0 standard determined from 1/5 limiting error according to OIML R111 for class E1.

* Wi-Fi® is a registered trademark of Wi-Fi® Alliance.



Accessories (Additional Fee)

RFID Tags
 Antivibration Tables
 Additional modules
 Protective cover for balances
 Barcode scanners

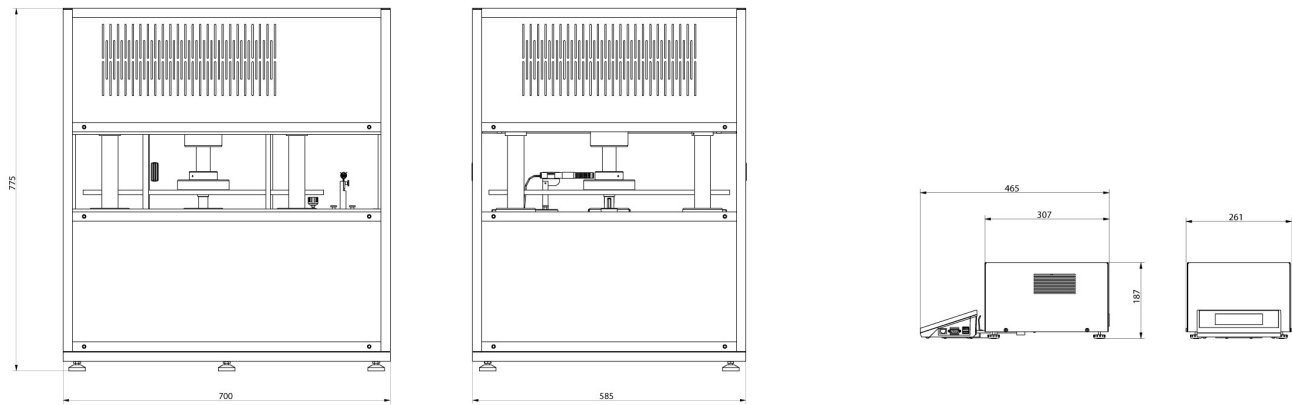
RS 232, RS 485 cables
 THBR 2.0 System - Ambient Conditions Monitoring
 Receipt Printer
 Fingerprint Reader
 RS 232 cables (scale - printer)

Software (Additional Fee)

• RAD Key [WX-010-0005]
 • RMCS System Network Management of Calibration Process [WX-

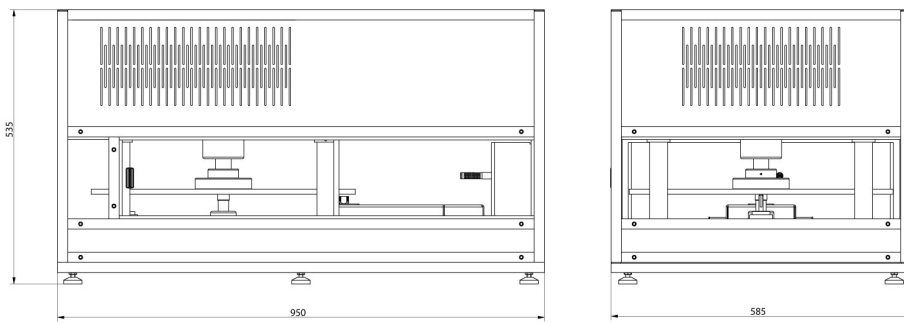
• RMCS Lite [WX-010-0164]

Device dimensions W x D x H



UMA-100, UMA-1000

UMA-control unit



UMA-5