



More information on the website
mirror.radwag.com/ja/info,w1,IWP

IM01.EX-4/3

WX-016-0173



The drawings, photos and graphics used are for illustrative purposes only.

Technical Specifications

| | |
|-----------------------|---|
| Dimensions | |
| IP Rating | IP 66 / 68 (1,5m) |
| Weight | 0.15 kg |
| ATEX | II (2)G [Ex ib] IIC Gb II (2)D [Ex ib] IIIC Db |
| Interfaces | 2xRS232, USB, 12IN / 12OUT, Ethernet, Profibus DP |
| Power Supply | 100 – 240 V AC 50/60 Hz |
| Power max. | 10 W |
| Operating Temperature | -10 – +40 °C |
| Storage Temperature | -20 – +60 °C |
| Humidity | 10% – 85% RH |

IM01.EX

IM01.EX

222×146×81 mm

IM01

1,9 kg

IM01

2,5 kg



IM01 (Additional Fee)

HX5.EX-1.4P2 H 1-Port Ethernet

HX5.EX-1 HR 1-Port Ethernet

RS 232 1-Port (M - F)

HX5.EX-1.4P2 C 1-Port Ethernet

HX5.EX-1.4N 1-Port Ethernet

HX5.EX-1.4 C 4-Port Ethernet

HX5.EX-1.4P H 1-Port Ethernet

HX5.EX-1.4 H/Z 1-Port Ethernet

HX5.EX-1 C 1-Port Ethernet

HX5.EX-1 H 1-Port Ethernet

PUE HX5.EX 1-Port Ethernet

HX5.EX-1.4 H 1-Port Ethernet 4-Port Ethernet

RS 232/RS 485 1-Port

IN/OUT 1-Port

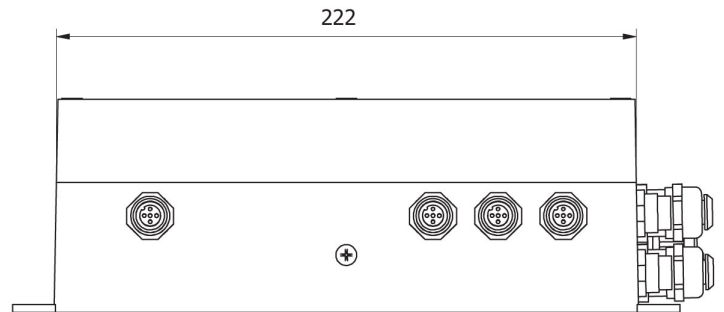
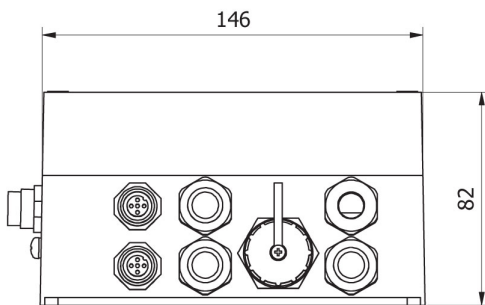
HX5.EX-1.4P C 1-Port Ethernet

USB 1-Port

USB cable (M - F)

RS 232 - USB 1-Port

IM01



IM01.EX