



More information on the website  
[mirror.radwag.com/it/info,w1,HWB](https://mirror.radwag.com/it/info,w1,HWB)

## Ramp for C9 3000kg Scale

WX-004-0168



The drawings, photos and graphics used are for illustrative purposes only.

### Specifiche

Costruzione	
Materiale	mild steel
Parametri fisici	
Dimensioni della piattaforma	1500×1460 mm



### Compatibile con (Additional Fee)

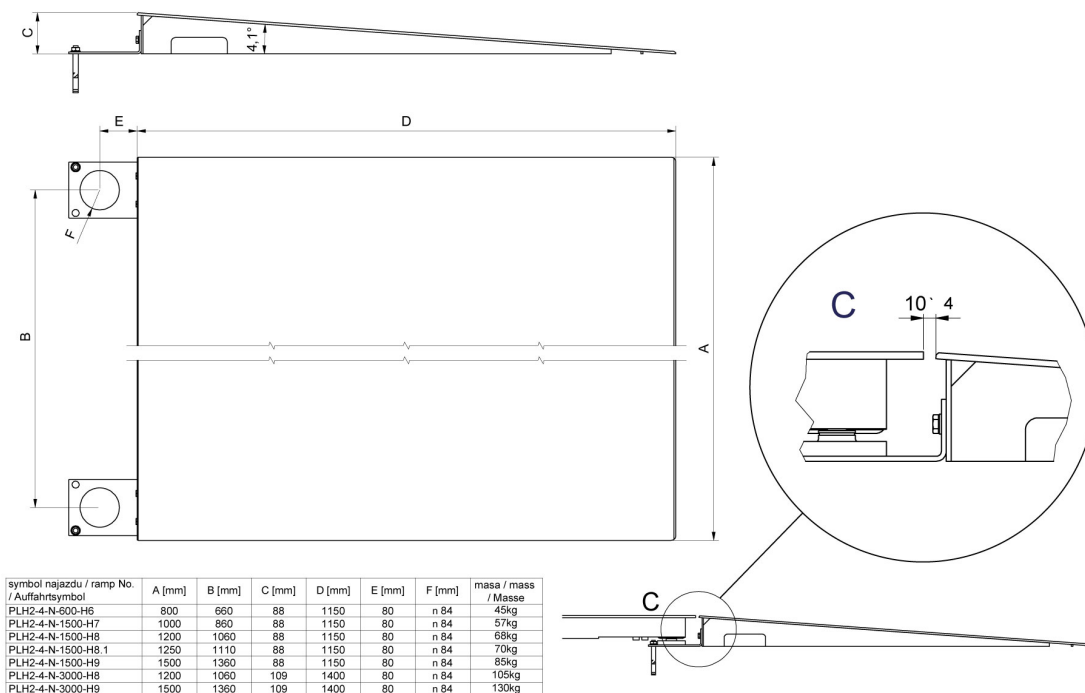
Multifunzione bilancia a piattaforma HX7.4C  
Bilancia a piattaforma C315.4

Bilancia a piattaforma H315 4C

# Device dimensions L x P x A



## Ramps made of powder-coated steel



## Ramps made of stainless steel