



More information on the website  
[mirror.radwag.com/en/info,w1,HJY](https://mirror.radwag.com/en/info,w1,HJY)

## Ramp for C8 3000kg Scale



The drawings, photos and graphics used are for illustrative purposes only.

### Datasheet

Construction	
Material	mild steel
Physical parameters	
Platform size	1200×1460 mm



### Compatible with

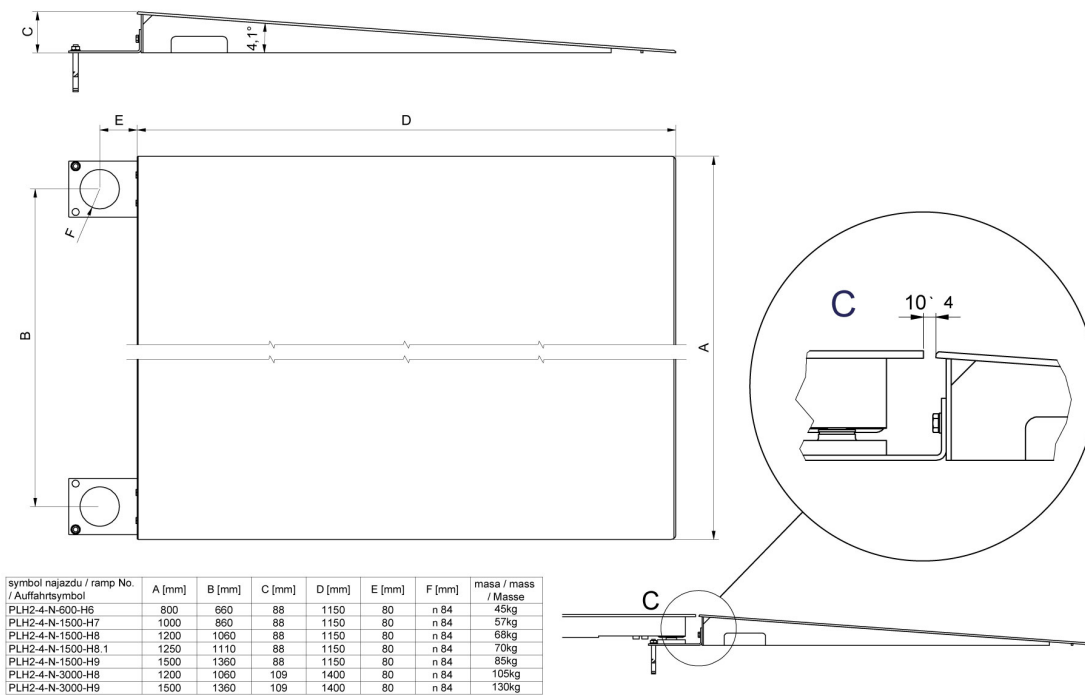
HX7.4C Multifunctional Platform Scale  
C315.4 Platform Scale

H315 4C Platform Scale

### Device dimensions



Ramps made of powder-coated steel



Ramps made of stainless steel