



More information on the website  
[mirror.radwag.com/en/info,w1,HJY](https://mirror.radwag.com/en/info,w1,HJY)

# Ramp for C8 3000kg Scale

WX-004-0167



The drawings, photos and graphics used are for illustrative purposes only.

## Datasheet

Construction	
Material	mild steel
Physical parameters	
Platform size	1200×1460 mm



## Compatible with (Additional Fee)

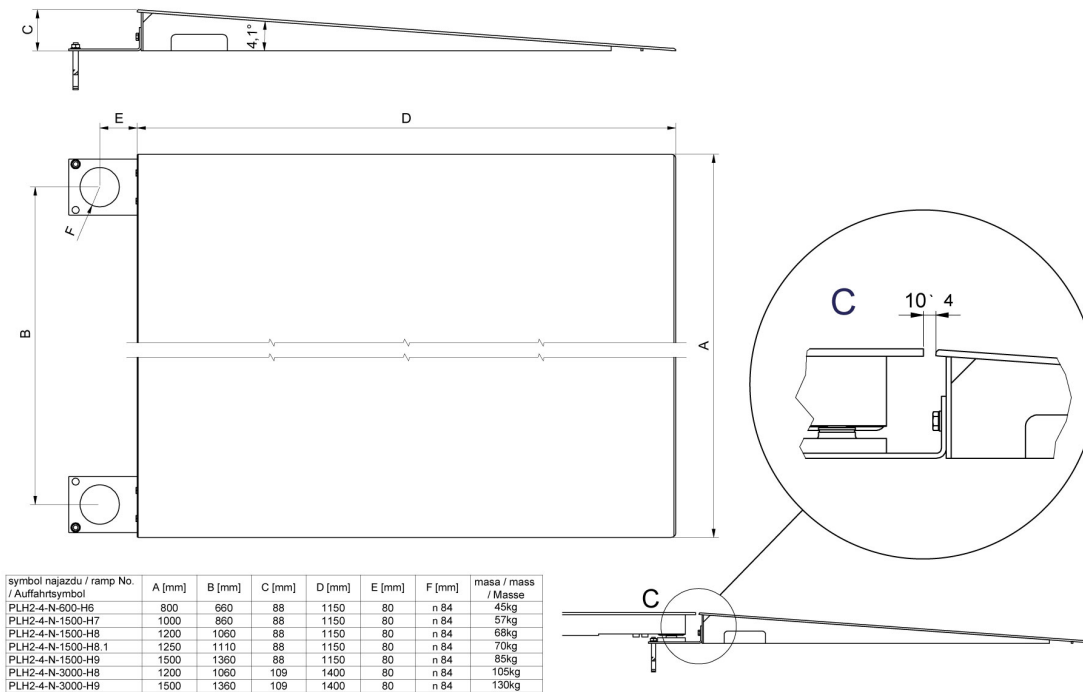
HX7.4C Multifunctional Platform Scale  
C315.4 Platform Scale

H315 4C Platform Scale

# Device dimensions W x D x H



## Ramps made of powder-coated steel



## Ramps made of stainless steel