

# PS 4500.R2.M.H Precision Balance

WL-221-0025

More information on the website  
[mirror.radwag.com/us/info,w1,HCV](http://mirror.radwag.com/us/info,w1,HCV)



The drawings, photos and graphics used are for illustrative purposes only.

## Functions



Autotest



Dosing



Percent Weighing



Totalizing



Parts counting



Peak hold



Newton unit measurement



Statistics



Checkweighing



Under-pan weighing



GLP Procedures



Animal weighing



Density determination

## Datasheet

Metrological parameters	
Maximum capacity [Max]	4500 g
Minimum load	500 mg
Readability [d]	0,01 g
Tare range	-4500 g
Minimum weight (USP)	10 g
Minimum weight (U=1%, k=2)	1 g

<b>Metrological parameters</b>	
Standard repeatability [5% Max]	0,005 g
Repeatability (Max)	0,008 g
Linearity	±0,03 g
Stabilization time	1,5 s
Adjustment	internal (automatic)
Sensitivity temperature drift	$2 \times 10^{-6} / ^\circ\text{C} \times \text{Rt}$
<b>Physical parameters</b>	
Leveling system	manual
Display	5,3" LCD (backlit)
Delivery components	Balance, weighing pan, weighing pan shield, power supply
Weighing pan dimensions	195×195 mm
Packaging dimensions W x D x H	475×380×345 mm
Net weight	4,8 kg
Gross weight	6,3 kg
<b>Construction</b>	
Protection class	IP 54
<b>Communication interface</b>	
Communication interface	2×RS232 <sup>1</sup> , USB-A, USB-B, Wi-Fi (option)
<b>Electrical parameters</b>	
Power supply	Adapter: 100 – 240V AC 50/60Hz 0.6A Max; 12V DC 1,2A Balance: 12 – 15V DC 0,7A max; 3 – 5,5W*
Power consumption	4 W
<b>Environmental conditions</b>	
Operating temperature	+10 – +40 °C
Relative humidity	40% – 80%

\* Wi-Fi® is a registered trademark of Wi-Fi® Alliance.



## Accessories (Additional Fee)

Antivibration tables  
Power Adapters  
Cigarette lighter receptacle power supply cables  
USB cable (scale - printer)  
Barcode scanners  
RS 232, RS 485 cables

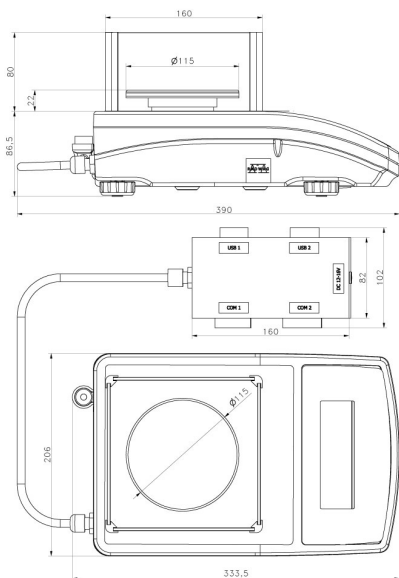
Displays  
Receipt Printer  
Protective cover for balances  
Under-pan weighing  
RS 232 cables (scale - printer)

## Software (Additional Fee)

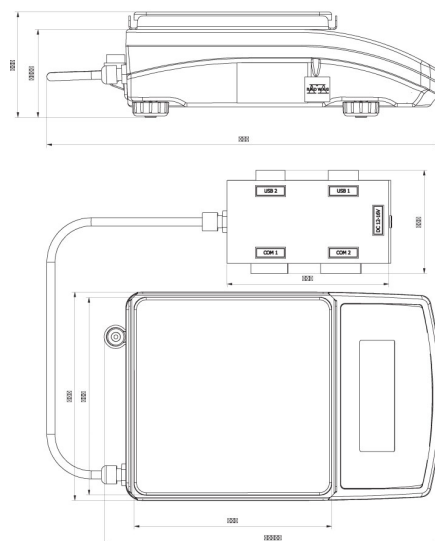
• RAD Key [WX-010-0005]  
• Alibi Reader PC Software [WX-010-0114]

• R Panel [WX-010-0187]  
• RADWAG Development Studio [WX-010-0104]

## Device dimensions W x D x H



PS R2.H, d = 1 mg



PS R2.M.H, d = 10 mg