



More information on the website  
[mirror.radwag.com/us/info,w1,FV8](https://mirror.radwag.com/us/info,w1,FV8)

# MPS 2000 Weighing Module



The drawings, photos and graphics used are for illustrative purposes only.

## Datasheet

Maximum capacity [Max]	2000 g
Minimum load	20 mg
Preload range	200 g
Readability [d]	1 mg
Tare range	-2000 g
Repeatability	0,5 mg
Linearity	±4 mg
Stabilization time	3 s
Adjustment	internal (automatic)
<b>Construction</b>	
Protection class	IP 32
Housing	aluminum
Communication interface	RS232, USB-B
Power supply	100 – 240 V AC 50/60 Hz

Operating temperature +10 – +40 °C

Relative humidity 40% – 80%

### Physical parameters

Weighing pan dimensions  $\varnothing 115$  mm

Device dimensions 293×190×112 mm

Packaging dimensions 515×340×285 mm

Net weight 4,1 kg



## Accessories

Antivibration tables  
Professional Weighing Tables  
RS 232, RS 485 cables

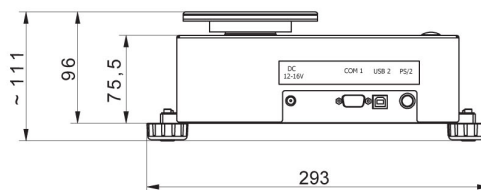
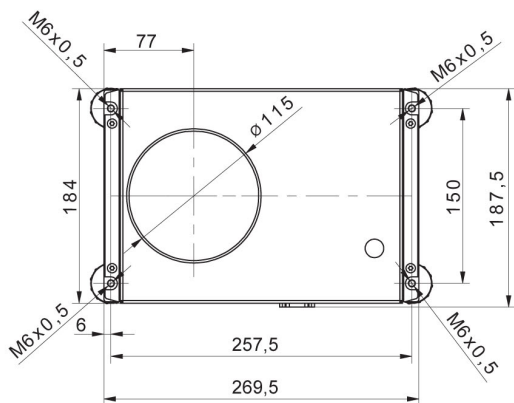
RS 232 – USB Converter  
RS 232 cables (scale - printer)

## Software

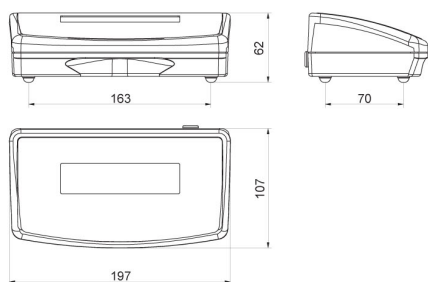
• RAD Key [WX-010-0005]  
• RADWAG Development Studio [WX-010-0104]

• R Panel [WX-010-0187]

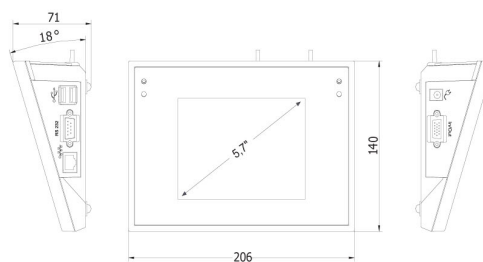
## Device dimensions



### MPS



### R operator panel



### Y operator panel