



More information on the website
mirror.radwag.com/us/info,w1,FS4

KIT 195 Density Determination Kit



The drawings, photos and graphics used are for illustrative purposes only.

Overview

Density determination kit for determining density of solids and liquids is designed for cooperation with laboratory balances featuring 195×195 mm weighing pan. This stainless steel kit is applicable for determining density of: solids; liquids. For testing granulates of density value higher or lower than 1 g/cm³ use KIT 85.

Compatible with

WLC X7 Precision balance
WLC Precision Balance

WLC C/2 Precision balance
PS R2 Precision Balance

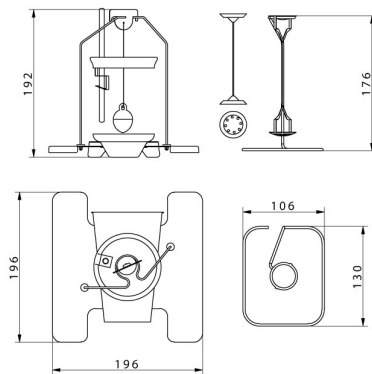
Device dimensions



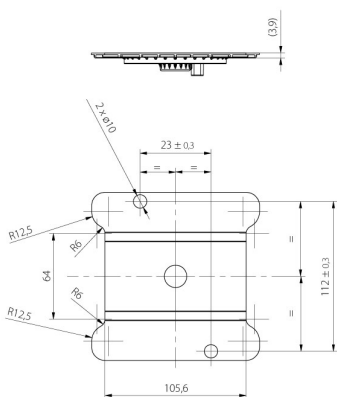
KIT 85



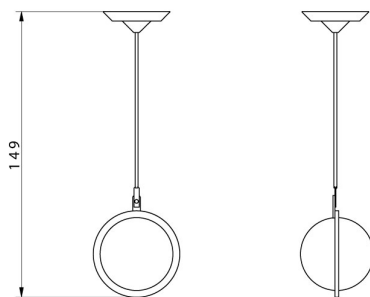
KIT 128



KIT 195



KIT 195.M



Granulte density
determination KIT