



More information on the website
mirror.radwag.com/tr/info,w1,FS4

KIT 195 Yoğunluk Tespit Kiti

WX-002-0021



The drawings, photos and graphics used are for illustrative purposes only.

Genel Açıklama

KIT 195 is a density determination kit intended for laboratory balances featuring 195x195 weighing pan.

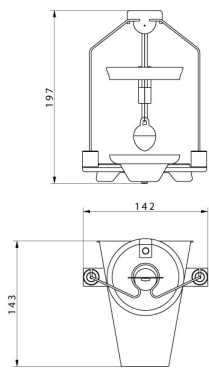
This stainless steel accessory allows determining density of: solids, liquids. For testing granulates of density value higher or lower than 1 g/cm³ use KIT 85.

İle uyumlu (Additional Fee)

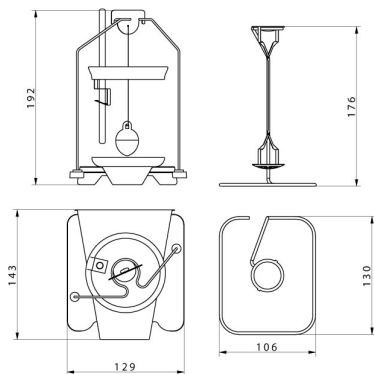
WLC X7 Hassas Teraziler
WLC Hassas Teraziler

WLC C/2 Hassas Teraziler
PS R2 Hassas Teraziler

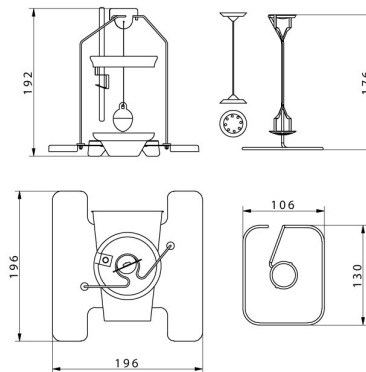
Cihaz boyutları G x D x Y



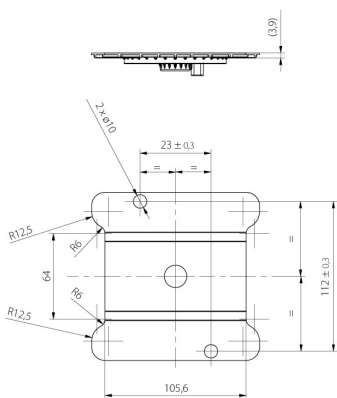
KIT 85



KIT 128



KIT 195



KIT 195.M



Granulte density
determination KIT