



More information on the website
mirror.radwag.com/en/info,w1,FS4

KIT 195 Density Determination Kit



The drawings, photos and graphics used are for illustrative purposes only.

Overview

KIT 195 is a density determination kit intended for laboratory balances featuring 195x195 weighing pan.

This stainless steel accessory allows determining density of: solids, liquids. For testing granulates of density value higher or lower than 1 g/cm³ use KIT 85.

Compatible with

WLC X7 Precision Balance
WLC Precision Balance

WLC C/2 Precision Balance
PS R2 Precision Balance

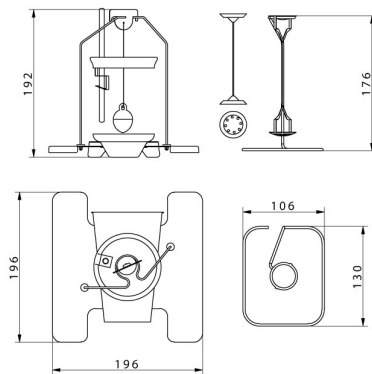
Device dimensions



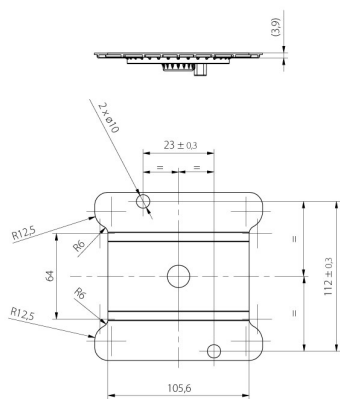
KIT 85



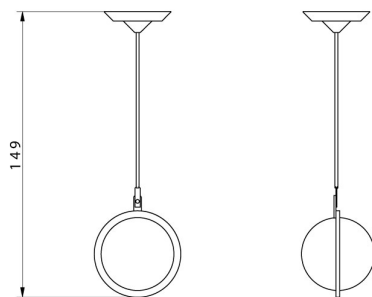
KIT 128



KIT 195



KIT 195.M



Granulte density
determination KIT