



PS 3500.R1.M Precision Balance

WL-213-0091

More information on the website
mirror.radwag.com/en/info,w1,EVT



The drawings, photos and graphics used are for illustrative purposes only.

Functions

-  Autotest
-  Dosing
-  Percent Weighing
-  Totalizing
-  Parts counting
-  Peak hold
-  Newton unit measurement
-  Statistics
-  Checkweighing
-  Under-pan weighing
-  GLP Procedures
-  Animal weighing
-  Density determination

Datasheet

| Metrological parameters | |
|-------------------------|---------|
| Maximum capacity [Max] | 3500 g |
| Minimum load | 500 mg |
| Readability [d] | 0.01 g |
| Tare range | -3500 g |
| Repeatability (Max) | 0.008 g |
| Repeatability (5% Max) | 0.005 g |

| Metrological parameters | |
|--------------------------------|---|
| Linearity | ±0.02 g |
| Stabilization time | 1.5 s |
| Adjustment | external |
| Sensitivity temperature drift | $2 \times 10^{-6} / ^\circ\text{C} \times \text{Rt}$ |
| Physical parameters | |
| Leveling system | manual |
| Display | 5.3" LCD (backlit) |
| Delivery components | Balance, weighing pan, weighing pan shield, power supply |
| Weighing pan dimensions | 195×195 mm |
| Packaging dimensions W x D x H | 475×380×345 mm |
| Net weight | 3.6 kg |
| Gross weight | 5.1 kg |
| Construction | |
| Protection class | IP 43 |
| Communication interface | |
| Communication interface | 2×RS232 ¹ , USB-A, USB-B, Wi-Fi (option) |
| Electrical parameters | |
| Power supply | Adapter: 100 – 240V AC 50/60Hz 0.6A; 12V DC 1.2A Balance: 12 – 15V DC 0.4A max |
| Power consumption | 4 W |
| Environmental conditions | |
| Operating temperature | +10 – +40 °C |
| Relative humidity | 40% – 80% |

Repeatability is expressed as a standard deviation from 10 weighing cycles.

Stabilization time depends on the ambient conditions and the dynamics of weighing pan loading; specified for FAST profile.

¹ Barcode scanners, available as weighing instrument accessory, communicate with the instrument via RS232 interface exclusively.

* Wi-Fi® is a registered trademark of Wi-Fi® Alliance.



Accessories (Additional Fee)

Balance Storage Case
 Antivibration Tables
 Power Adapters
 Cigarette lighter receptacle power supply cables
 USB cable (scale - printer)
 Barcode scanners
 RS 232, RS 485 cables

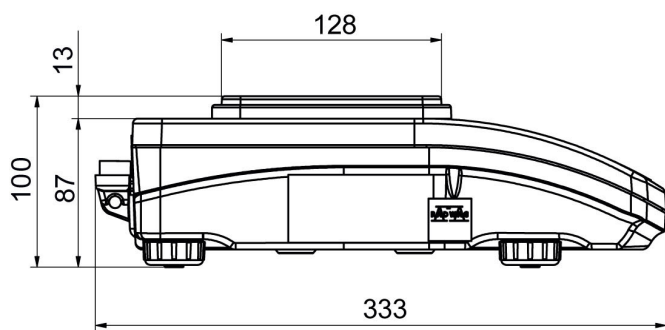
Displays
 Density determination KIT
 Protective cover for balances
 Receipt Printer
 Under-pan weighing
 RS 232 cables (scale - printer)

Software (Additional Fee)

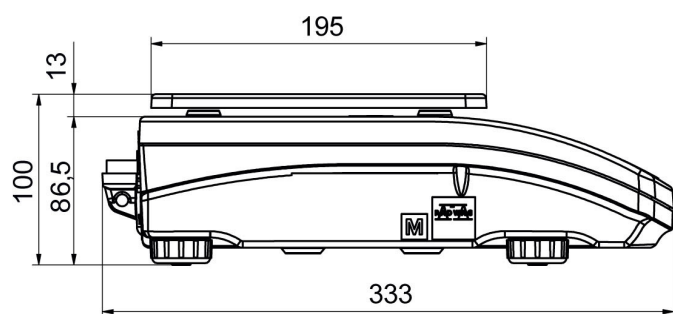
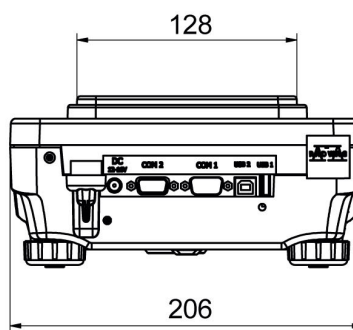
- RAD Key [WX-010-0005]
- Alibi Reader [WX-010-0114]
- RADWAG Development Studio [WX-010-0104]

- R-Panel [WX-010-0187]
- R-Lab [WX-010-0080]

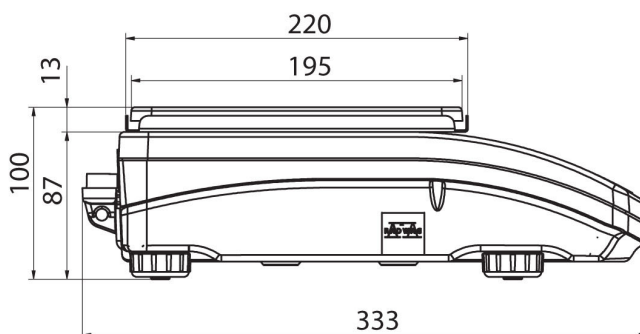
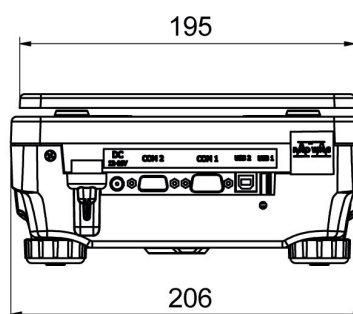
Device dimensions W x D x H



PS R, d = 1mg



PS R, d = 10 mg



PS R.M, d = 10 mg

