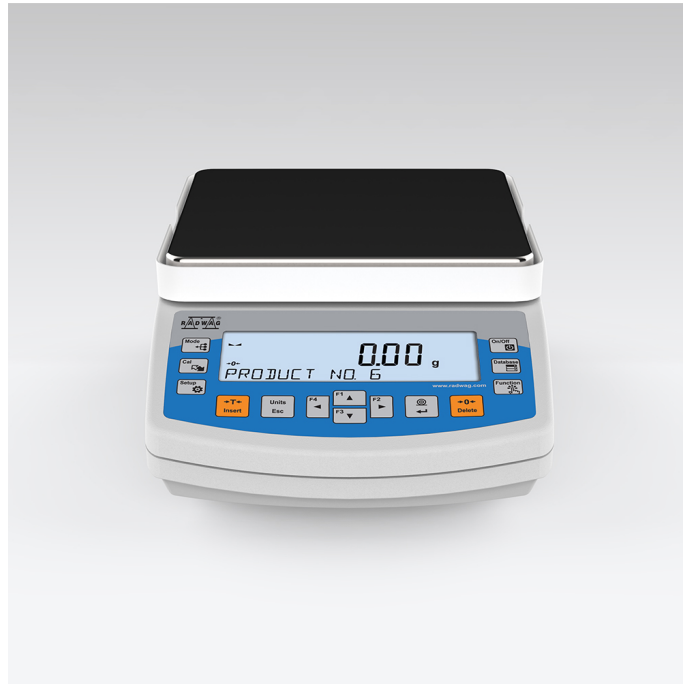




More information on the website  
[mirror.radwag.com/en/info,w1,EVT](http://mirror.radwag.com/en/info,w1,EVT)

# PS 3500.R1.M Precision Balance

WL-213-0091



The drawings, photos and graphics used are for illustrative purposes only.

## Functions



Autotest



Dosing



Percent Weighing



Totalizing



Parts counting



Peak hold



Newton unit measurement



Statistics



Checkweighing



Under-pan weighing



GLP Procedures



Animal weighing



Density determination

## Datasheet

| Metrological parameters |         |
|-------------------------|---------|
| Maximum capacity [Max]  | 3500 g  |
| Minimum load            | 500 mg  |
| Readability [d]         | 0.01 g  |
| Tare range              | -3500 g |
| Repeatability (Max)     | 0.008 g |
| Repeatability (5% Max)  | 0.005 g |

| Metrological parameters        |   |
|--------------------------------|---|
| Linearity                      | ±0.02 g   |
| Stabilization time             | 1.5 s   |
| Adjustment                     | external  |
| Sensitivity temperature drift  | $2 \times 10^{-6} / ^\circ\text{C} \times \text{Rt}$                              |
| Physical parameters            |   |
| Leveling system                | manual  |
| Display                        | 5.3" LCD (backlit)  |
| Delivery components            | Balance, weighing pan, weighing pan shield, power supply                          |
| Weighing pan dimensions        | 195×195 mm  |
| Packaging dimensions W x D x H | 475×380×345 mm  |
| Net weight                     | 3.6 kg  |
| Gross weight                   | 5.1 kg  |
| Construction                   |   |
| Protection class               | IP 43   |
| Communication interface        |   |
| Communication interface        | 2×RS232 <sup>1</sup> , USB-A, USB-B, Wi-Fi (option)                               |
| Electrical parameters          |   |
| Power supply                   | Adapter: 100 – 240V AC 50/60Hz 0.6A; 12V DC 1.2A<br>Balance: 12 – 15V DC 0.4A max |
| Power consumption              | 4 W   |
| Environmental conditions       |   |
| Operating temperature          | +10 – +40 °C  |
| Relative humidity              | 40% – 80%   |

**Repeatability** is expressed as a standard deviation from 10 weighing cycles.

**Stabilization time** depends on the ambient conditions and the dynamics of weighing pan loading; specified for FAST profile.

<sup>1</sup> Barcode scanners, available as weighing instrument accessory, communicate with the instrument via RS232 interface exclusively.

\* Wi-Fi® is a registered trademark of Wi-Fi® Alliance.



## Accessories (Additional Fee)

Balance Storage Case  
 Antivibration Tables  
 Power Adapters  
 Cigarette lighter receptacle power supply cables  
 USB cable (scale - printer)  
 Barcode scanners  
 RS 232, RS 485 cables

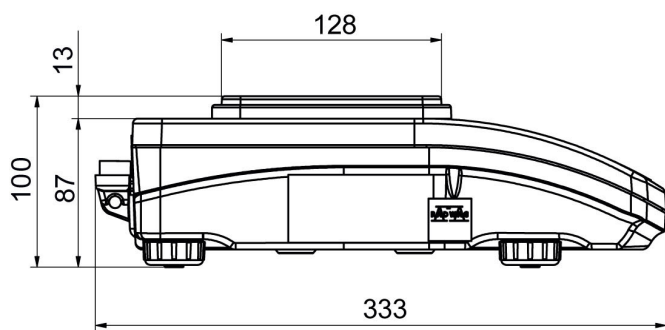
Displays  
 Density determination KIT  
 Protective cover for balances  
 Receipt Printer  
 Under-pan weighing  
 RS 232 cables (scale - printer)

## Software (Additional Fee)

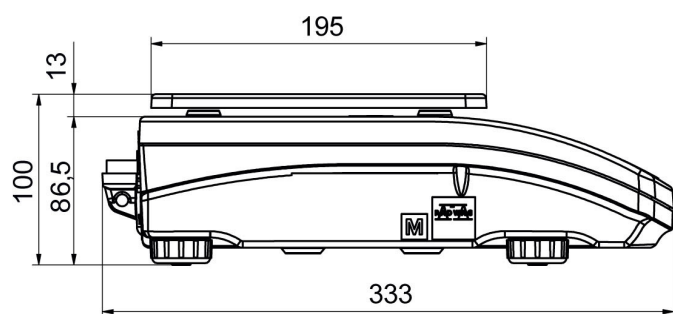
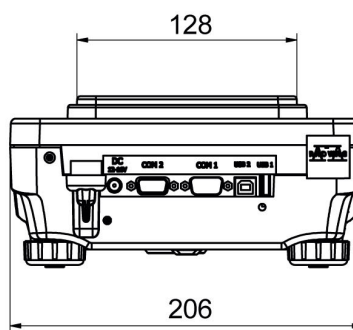
- RAD Key [WX-010-0005]
- Alibi Reader [WX-010-0114]
- RADWAG Development Studio [WX-010-0104]

- R-Panel [WX-010-0187]
- R-Lab [WX-010-0080]

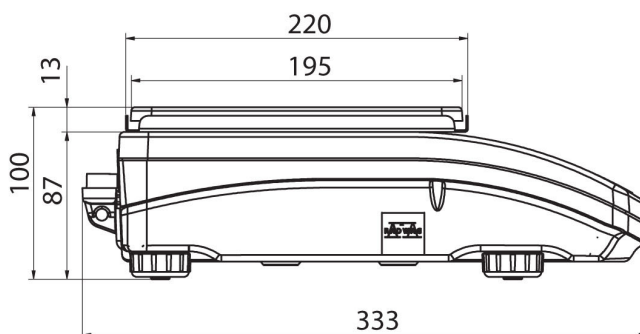
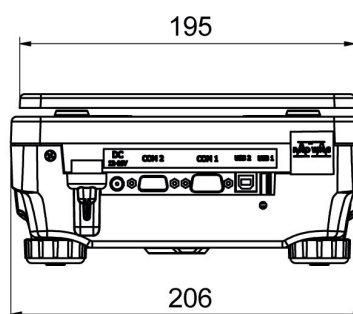
## Device dimensions W x D x H



PS R, d = 1mg



PS R, d = 10 mg



PS R.M, d = 10 mg

