



More information on the website  
[mirror.radwag.com/en/info,w1,EMU](http://mirror.radwag.com/en/info,w1,EMU)

# PA-04/H Automatic Feeder

WX-001-0105



The drawings, photos and graphics used are for illustrative purposes only.

## Datasheet

Construction	
Protection class	IP 34
Communication interface	
Communication interface	RS232
Electrical parameters	
Power supply	100 – 240 V AC 50/60 Hz
Power consumption	95 W
Environmental conditions	
Operating temperature	+5 – +40 °C
Physical parameters	
Device dimensions W x D x H	229×229×303 mm
Net weight	17 kg
Gross weight	26 kg
Diameter of fed objects	ø 3 – ø 25 mm

Feeder diameter	ø 180 mm
Throughput	1 – 15 pcs/min
Controlling	external, from balance level

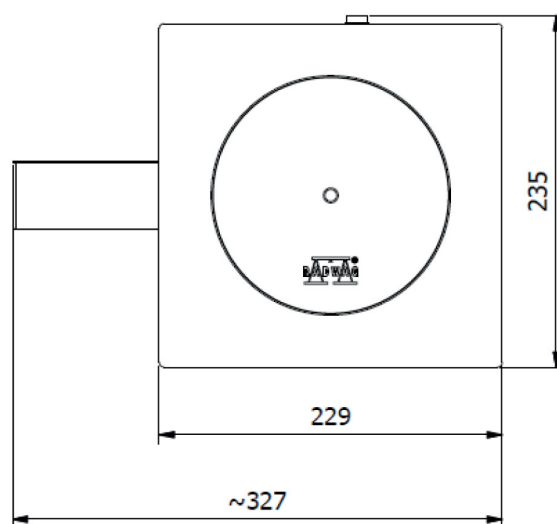
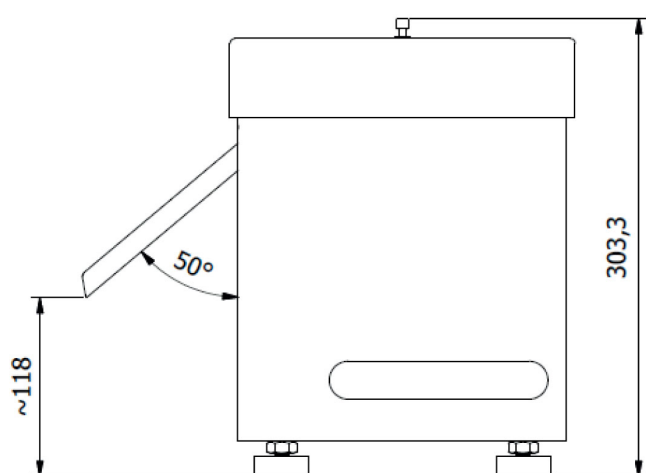


## Compatible with (Additional Fee)

XA 5Y.A Analytical Balance  
 Antivibration Tables  
 XA 5Y.M.A Microbalance

RS 232, RS 485 cables  
 XA 5Y Analytical Balance  
 XA 5Y.M Microbalance

## Device dimensions W x D x H



[PA-04/H Automatic Feeder](#)