



More information on the website
mirror.radwag.com/it/info,w1,E90

Postazione di lavoro per calibrazione pipette SDKP DUAL

WL-101-0173



The drawings, photos and graphics used are for illustrative purposes only.

Specifiche

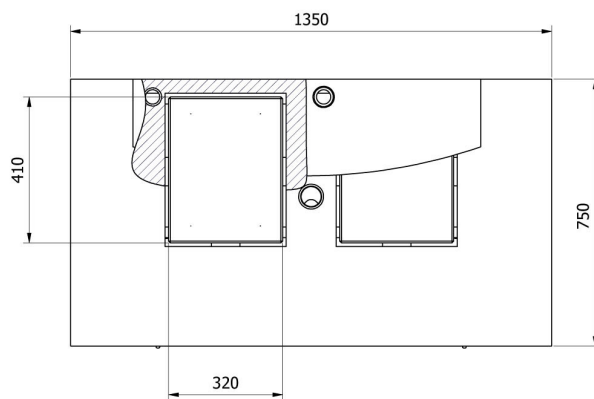
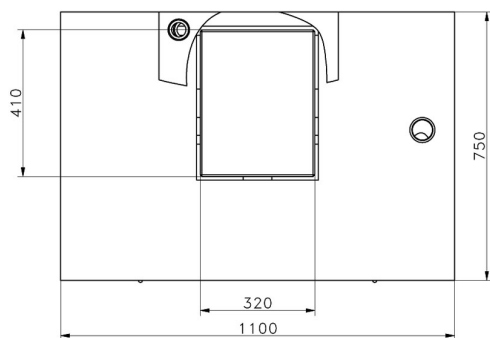
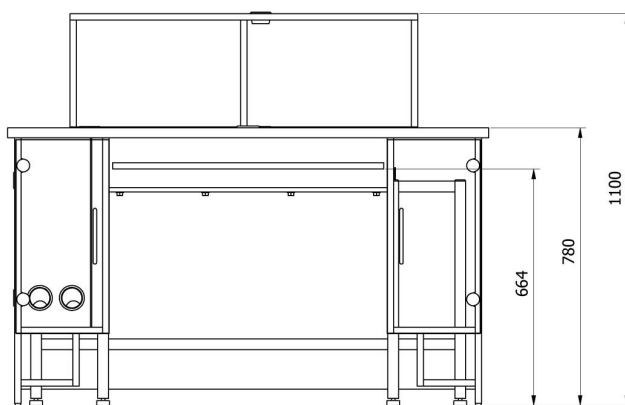
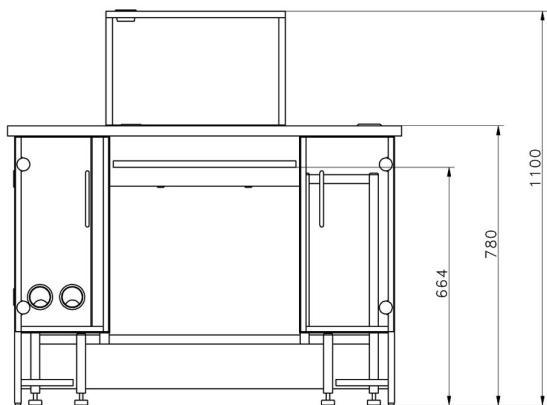
Parametri fisici	
Componenti del kit	table for calibration, anti-vibration table x2, probe for temperature, humidity and pressure measurement, probe for water temperature measurement, sink for used water, armrests, LCD monitor, PC with pre-installed software PIPETTES RADWAG, power supply, keyboard and mouse, container for used water
Chamber packaging size	820x1410x1000 mm
Peso lordo	250 kg
Lunghezza	1350 mm
Larghezza	750 mm
Altezza	1100 mm
Number of workstations	2

Compatibile con (Additional Fee)

Microbilancia per la calibrazione delle pipette MYA 5Y.P
AS X7 Bilancia analitica
Puntali per pipette
Bilancia analitica AS 5Y

Bilancia analitica AS R2 PLUS
Bilancia analitica AS R1 PLUS
THBR 2.0 - modulo misura parametri ambientali

Device dimensions L x P x A



—SDKP

—SDKP DUAL