



More information on the website
mirror.radwag.com/en/info,w1,DR1

PS 600.R2.H Precision Balance

WL-221-0003



The drawings, photos and graphics used are for illustrative purposes only.

Functions



Autotest



Dosing



Percent Weighing



Totalizing



Parts counting



Peak hold



Newton unit measurement



Statistics



Checkweighing



Under-pan weighing



GLP Procedures



Animal weighing



Density determination

Datasheet

Metrological parameters	
Maximum capacity [Max]	600 g
Minimum load	20 mg
Readability [d]	0.001 g
Tare range	-600 g
Minimum weight (USP)	1 g
Minimum weight (U=1%, k=2)	0.1 g

Metrological parameters	
Standard repeatability [5% Max]	0.0005 g
Repeatability (Max)	0.0015 g
Linearity	±0.003 g
Stabilization time	2 s
Adjustment	internal (automatic)
Sensitivity temperature drift	$2 \times 10^{-6} / ^\circ\text{C} \times \text{Rt}$
Physical parameters	
Leveling system	manual
Display	5.3" LCD (backlit)
Weighing pan dimensions	∅100 mm
Packaging dimensions W x D x H	475x380x345 mm
Net weight	4.3 kg
Gross weight	6.3 kg
Construction	
Protection class	IP 54
Communication interface	
Communication interface	2×RS232 ¹ , USB-A, USB-B, Wi-Fi (option)
Electrical parameters	
Power supply	Adapter: 100 – 240V AC 50/60Hz 0.6A Max; 12V DC 1.2A Balance: 12 – 15V DC 0.7A max; 3 – 5.5W*
Power consumption	4 W
Environmental conditions	
Operating temperature	+10 – +40 °C
Relative humidity	40% – 80%

Repeatability is expressed as a standard deviation from 10 weighing cycles.

Stabilization time depends on the ambient conditions and the dynamics of weighing pan loading; specified for FAST profile.

¹ Barcode scanners, available as weighing instrument accessory, communicate with the instrument via RS232 interface exclusively.

* Wi-Fi® is a registered trademark of Wi-Fi® Alliance.



Accessories (Additional Fee)

Antivibration Tables
Power Adapters
Cigarette lighter receptacle power supply cables
USB cable (scale - printer)
Barcode scanners
RS 232, RS 485 cables

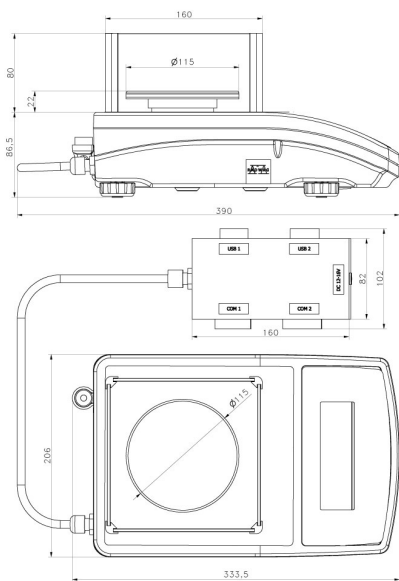
Displays
Receipt Printer
Protective cover for balances
Under-pan weighing
RS 232 cables (scale - printer)

Software (Additional Fee)

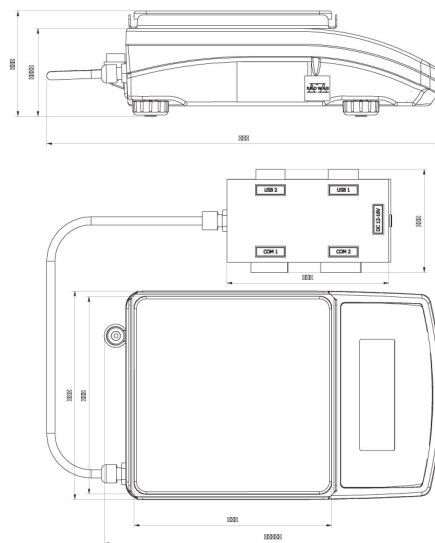
• RAD Key [WX-010-0005]
• Alibi Reader [WX-010-0114]

• R-Panel [WX-010-0187]
• R-Lab [WX-010-0080]

Device dimensions W x D x H



PS R2.H, d = 1 mg



PS R2.M.H, d = 10 mg